



TRINITY GLASS
INTERNATIONAL

33615 1st Way S Federal Way, WA 98003

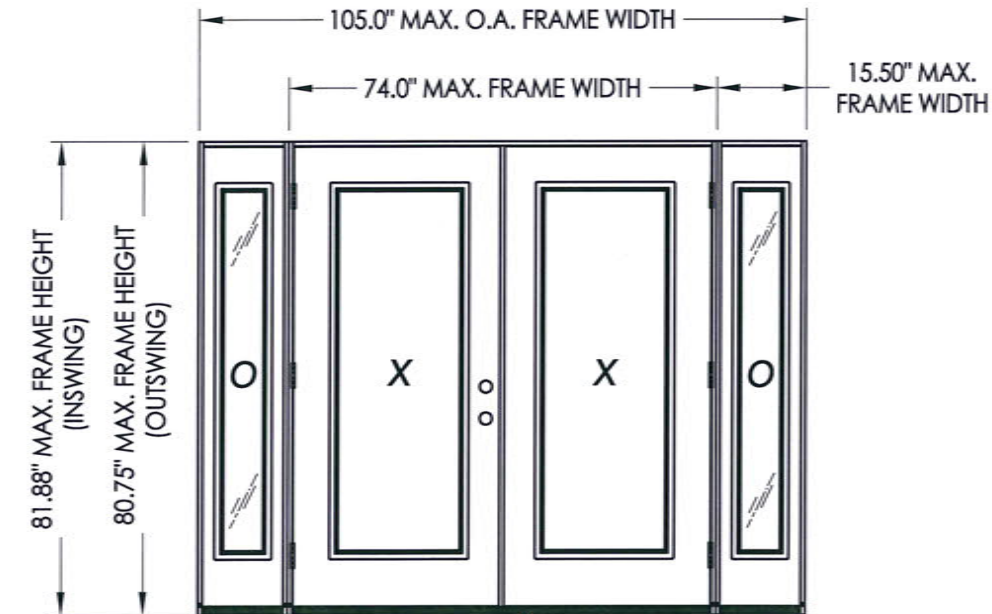
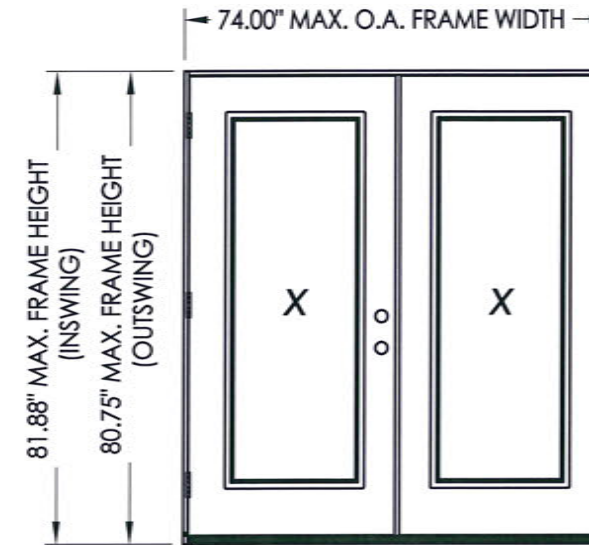
GLAZED FIBERGLASS DOOR w/wo SIDELITES IN SWING / OUT SWING "NON-IMPACT"

GENERAL NOTES

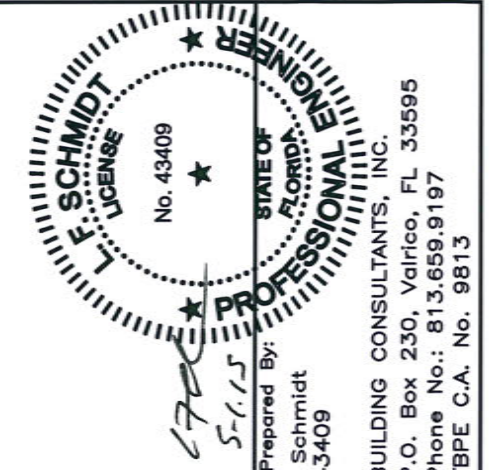
1. This product has been evaluated and is in compliance with the 5th Edition (2014) Florida Building Code (FBC) structural requirements excluding the "High Velocity Hurricane Zone" (HVHZ).
2. Product anchors shall be as listed and spaced as shown on details. Anchor embedment to base material shall be beyond wall dressing or stucco.
3. When used in areas requiring wind borne debris protection this product is required to be protected with an impact resistant covering that complies with Section 1609.1.2 of the FBC.
4. For 2x stud framing construction, anchoring of these units shall be the same as that shown for 2x buck masonry construction.
5. Site conditions that deviate from the details of this drawing require further engineering analysis by a licensed engineer or registered architect.

TABLE OF CONTENTS

SHEET#	DESCRIPTION
1	Typical elevations, design pressures & general notes
2	Door panel details - flush glazing
3	Door panel details - lip lite glazing
4	Sidelite panel details
5	Sidelite panel details
6	Elevations
7	Horizontal cross sections
8	Vertical cross sections
9	Vertical cross sections
10	Buck anchoring
11	Frame anchoring
12	Astragal details
13	Components
14	Bill of materials



CONFIGURATION	MAX. FRAME DIMENSION	DESIGN PRESSURE (PSF) ALUMINUM ASTRAGAL		DESIGN PRESSURE (PSF) PVC ASTRAGAL	
		POSITIVE	NEGATIVE	POSITIVE	NEGATIVE
XX	74.0" x 81.88"	+ 55.0	- 55.0	+ 47.0	- 47.0
OXXO	105.0" x 81.88"	+ 55.0	- 55.0	+ 47.0	- 47.0



Documents Prepared By:
Lyndon F. Schmidt
P.E. No. 43409

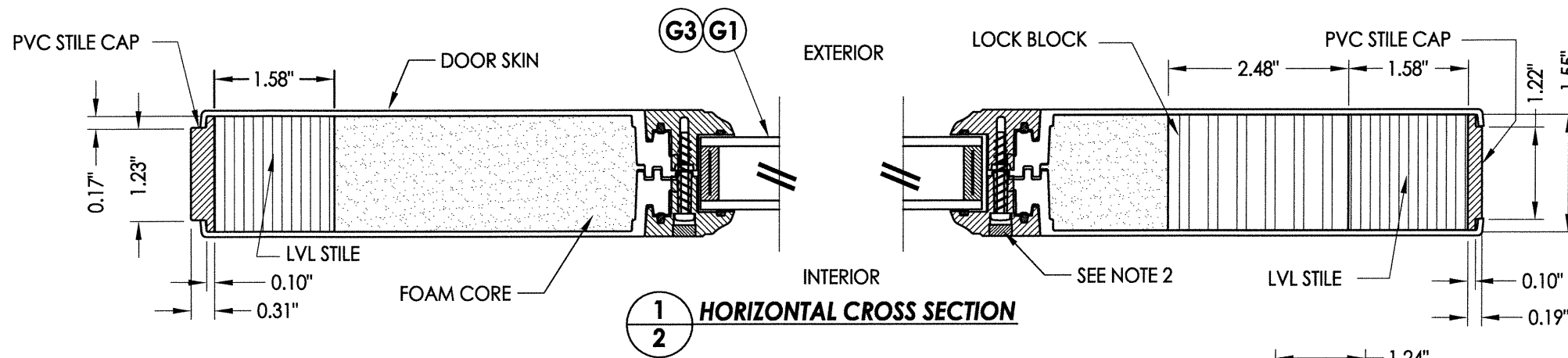
PROFESSIONAL ENGINEER
STATE OF FLORIDA
No. 43409
BUILDING CONSULTANTS, INC.
P.O. Box 230, Vairico, FL 33595
Phone No.: 813.659.9197
FBPE C.A. No. 9813

PRODUCT: TRINITY GLASS INT'L
PART OR ASSEMBLY:
TYPICAL ELEVATION, DESIGN PRESSURES & GENERAL NOTES

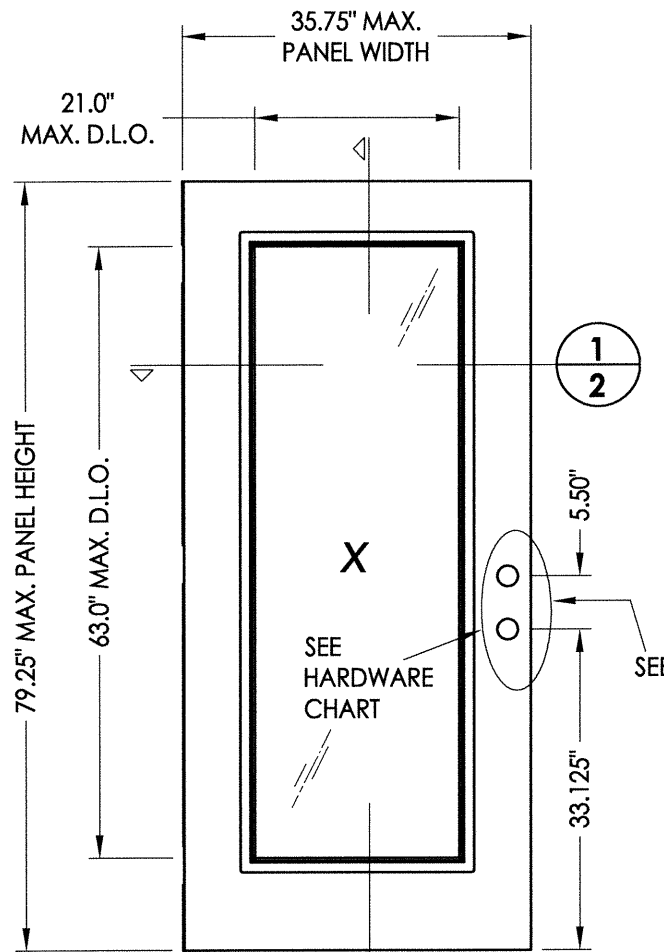
NO.	DATE	REVISIONS
3	03/02/15	UPDATE TO 5TH ED. (2014) FBC
2	12/16/14	ADDED PVC JAMB/LOCK HRDWR
1	3/27/12	ADDED GLAZING DETAIL

DATE: 1/18/12
SCALE: N.T.S.
DWG. BY: JK
CHK. BY: LFS
DRAWING NO.: FL-15129.8
SHEET 1 OF 14

R:\Clients\Trinity PERMANENT\Florida Product Approvals\FL-15129\Drawings\Current\FL-15129.5-8.dwg, 2.14

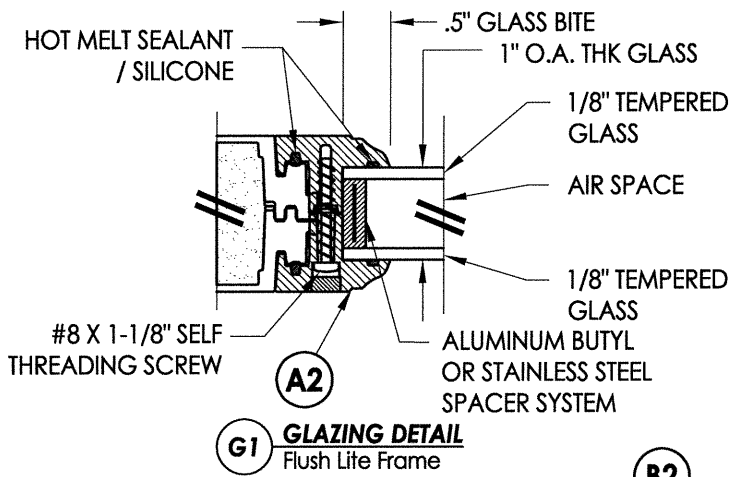


1
2 HORIZONTAL CROSS SECTION



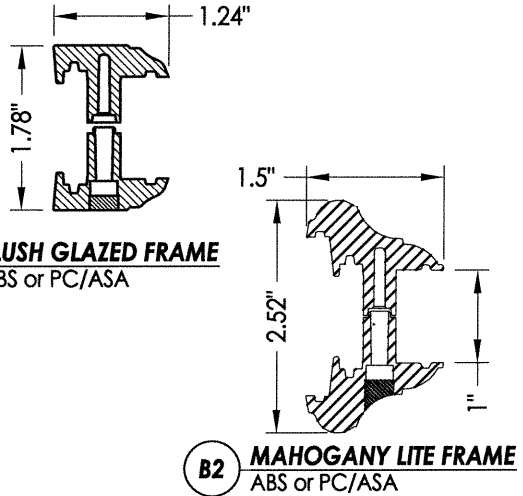
40 FIBERGLASS DOOR with FLUSH GLAZING

FIBERGLASS DOOR SKIN: MIN. 0.070\"/>

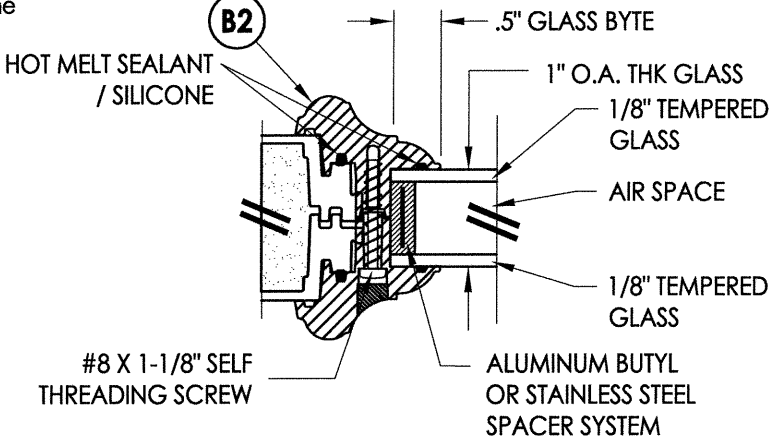


A2 FLUSH GLAZED FRAME ABS or PC/ASA

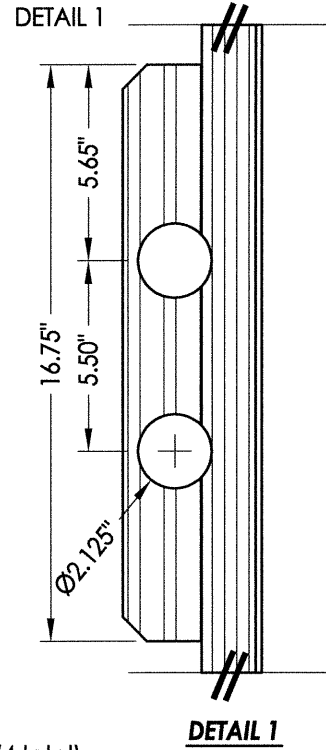
G1 GLAZING DETAIL Flush Lite Frame



B2 MAHOGANY LITE FRAME ABS or PC/ASA



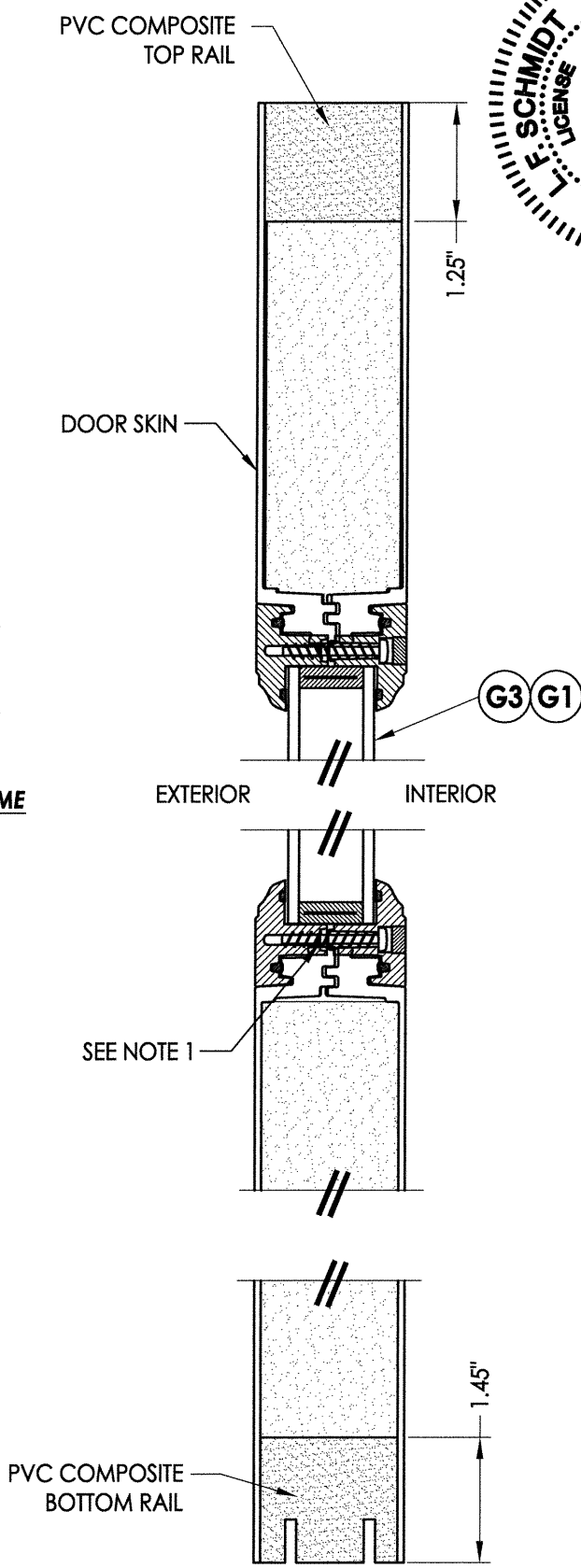
G3 GLAZING DETAIL Flush Lite Frame



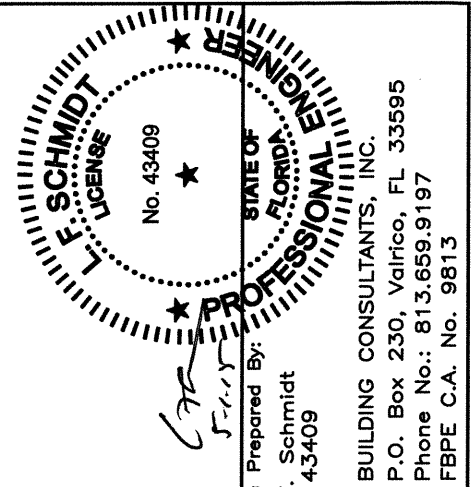
DETAIL 1

HARDWARE CHART	
MANUFACTURER	MODEL
KWIKSET	KNOB: SIGNATURE SERIES DEADBOLT: SIGNATURE SERIES (980)
KWIKSET	KNOB & DEADBOLT: SIGNATURE SERIES COMBO PACK (991)
SCHLAGE	KNOB: F SERIES DEADBOLT: B60 SERIES

NOTE:
1. Spacing for lite frame screw is as follows:
Top and Bottom: 2-3/4\"/>



2
2 VERTICAL CROSS SECTION

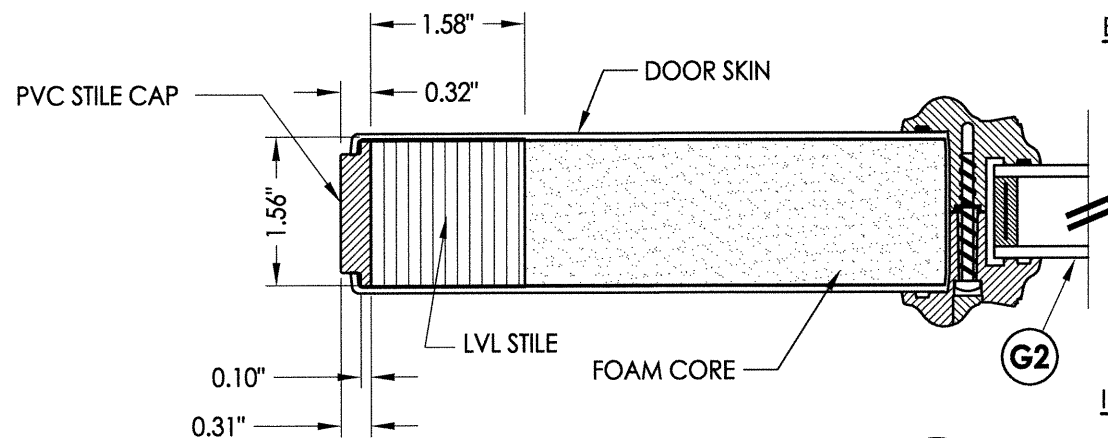


Documents Prepared By:
Lyndon F. Schmidt
P.E. No. 43409
R.W. BUILDING CONSULTANTS, INC.
P.O. Box 230, Valrico, FL 33595
Phone No.: 813.659.9197
FBPE C.A. No. 9813

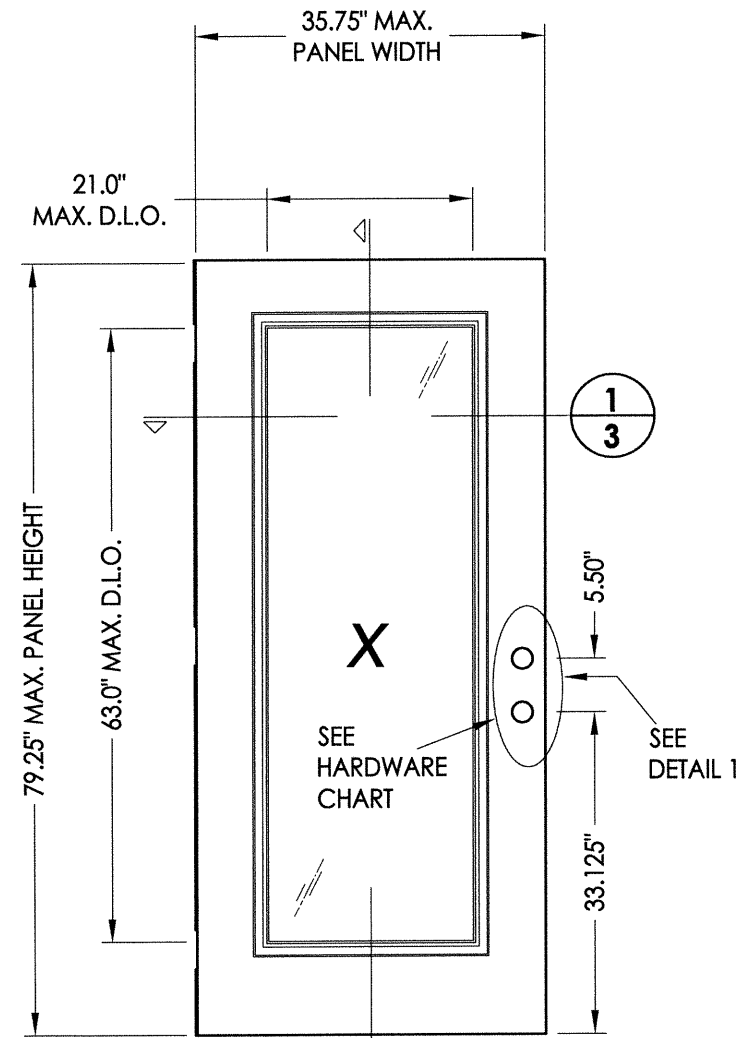
PRODUCT: TRINITY GLASS INT'L
PART OR ASSEMBLY: DOOR PANEL DETAILS FLUSH GLAZING

NO.	DATE	REVISIONS
3	03/02/15	UPDATE TO 5TH ED. (2014) FBC JK
2	12/16/14	ADDED PVC JAMB/LOCK HRDWR LFS
1	3/27/12	ADDED GLAZING DETAIL LFS

DATE: 1/18/12
SCALE: N.T.S.
DWG. BY: JK
CHK. BY: LFS
DRAWING NO.: FL-15129.8
SHEET 2 OF 14

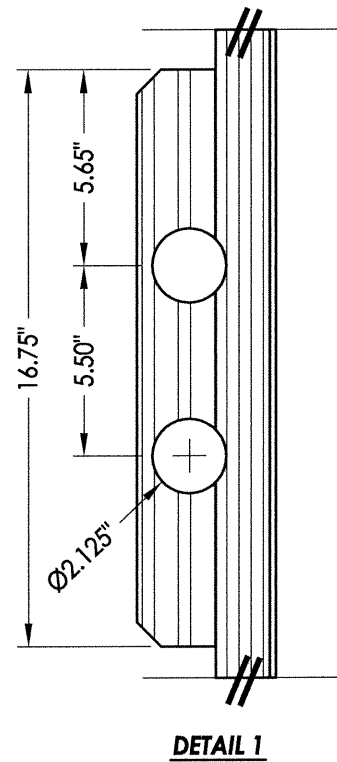


1
3 HORIZONTAL CROSS SECTION

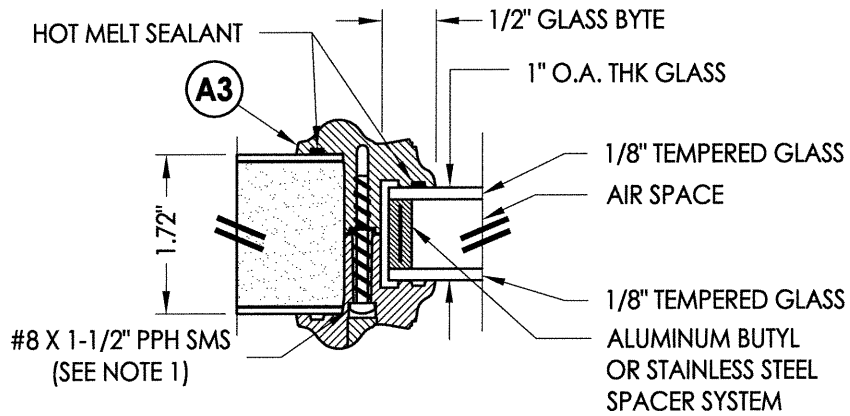


40 FIBERGLASS DOOR PANEL
with LIP LITE GLAZING

FIBERGLASS DOOR SKIN: MIN. 0.070\"/>



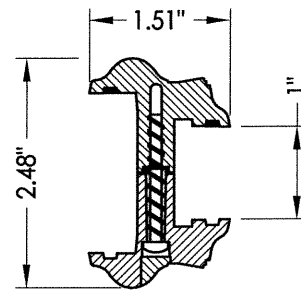
DETAIL 1



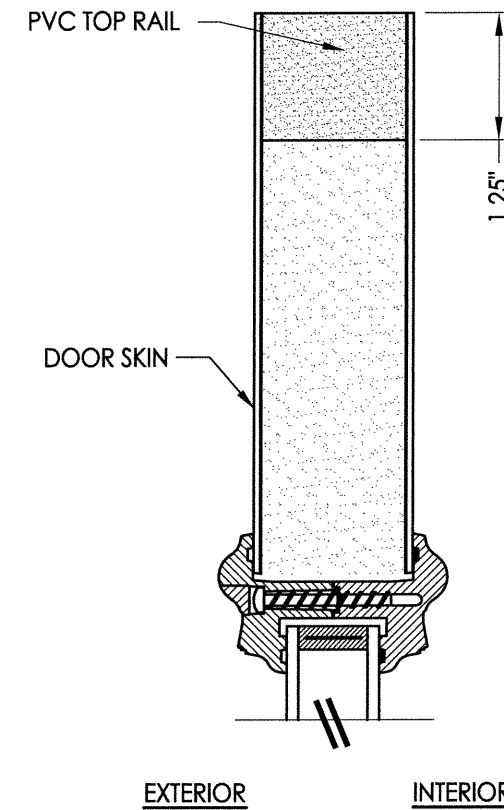
G2 GLAZING DETAIL
Lip Lite Frame

HARDWARE CHART	
MANUFACTURER	MODEL
KWIKSET	KNOB: SIGNATURE SERIES DEADBOLT: SIGNATURE SERIES (980)
KWIKSET	KNOB & DEADBOLT: SIGNATURE SERIES COMBO PACK (991)
SCHLAGE	KNOB: F SERIES DEADBOLT: B60 SERIES

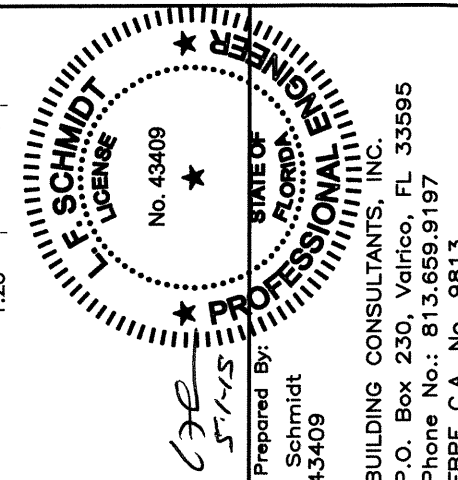
NOTE:
1. Spacing for lite frame screw is as follows:
Top and Bottom: 2\"/>



A3 LIP LITE FRAME
ABS or PC/ASA



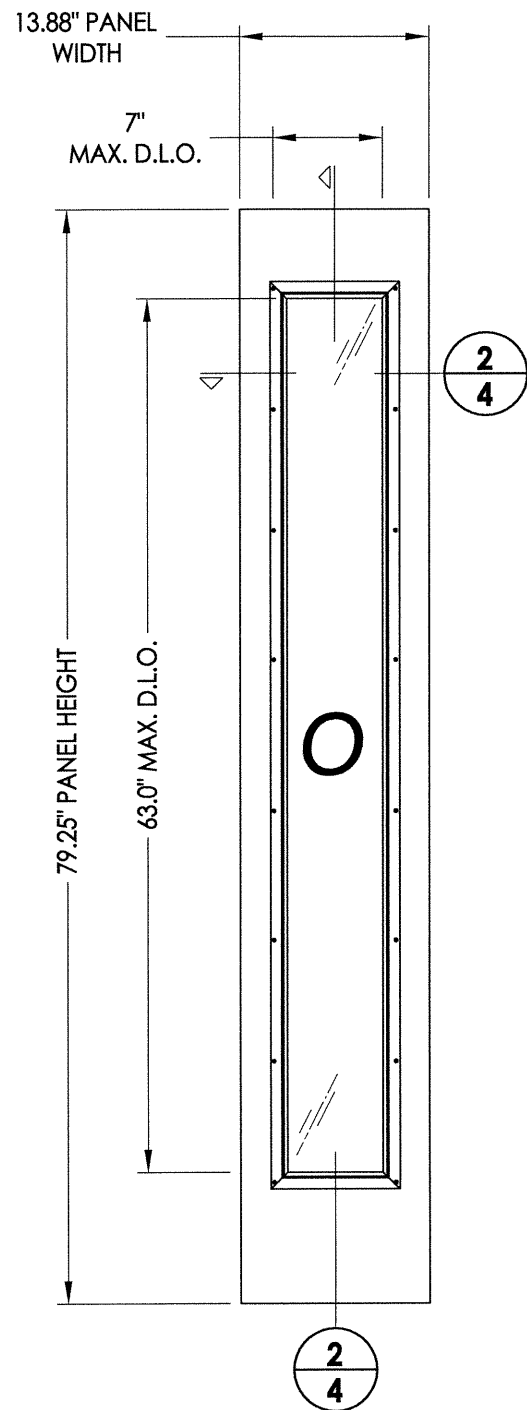
2
3 VERTICAL CROSS SECTION



PRODUCT: TRINITY GLASS INT'L
PART OR ASSEMBLY: DOOR PANEL DETAILS
LIP LITE GLAZING

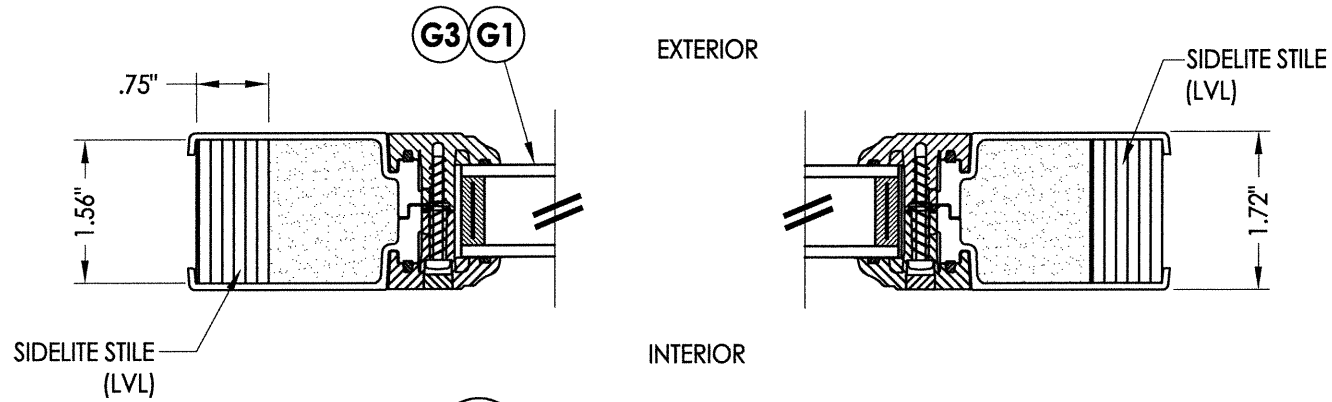
NO.	DATE	REVISIONS
3	03/02/15	UPDATE TO 5TH ED. (2014) FBC
2	12/16/14	ADDED PVC JAMB/LOCK HRDWR
1	3/27/12	ADDED GLAZING DETAIL

DATE: 1/18/12
SCALE: N.T.S.
DWG. BY: JK
CHK. BY: LFS
DRAWING NO.: FL-15129.8
SHEET 3 OF 14

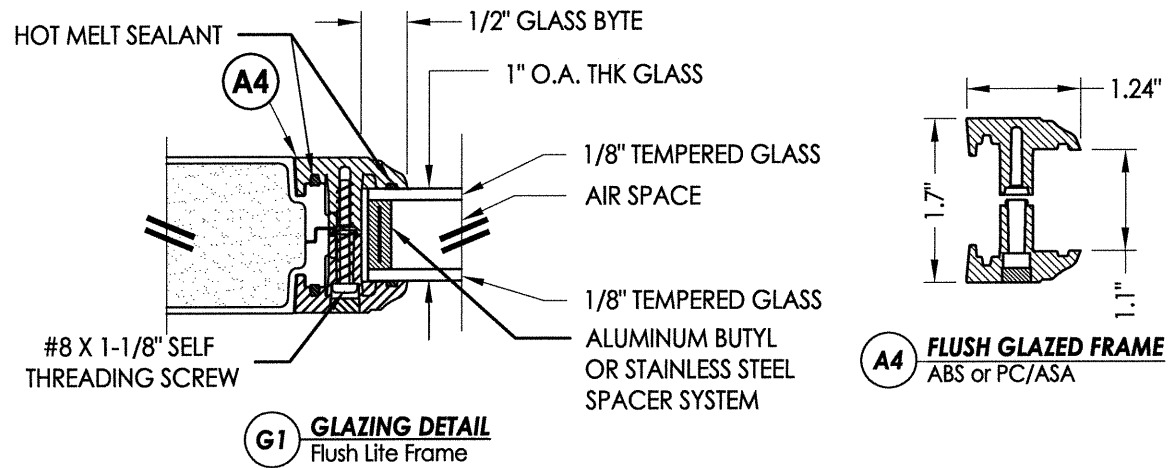


42 FIBERGLASS SIDELITE
"Non-Impact" Flush Lite Frame

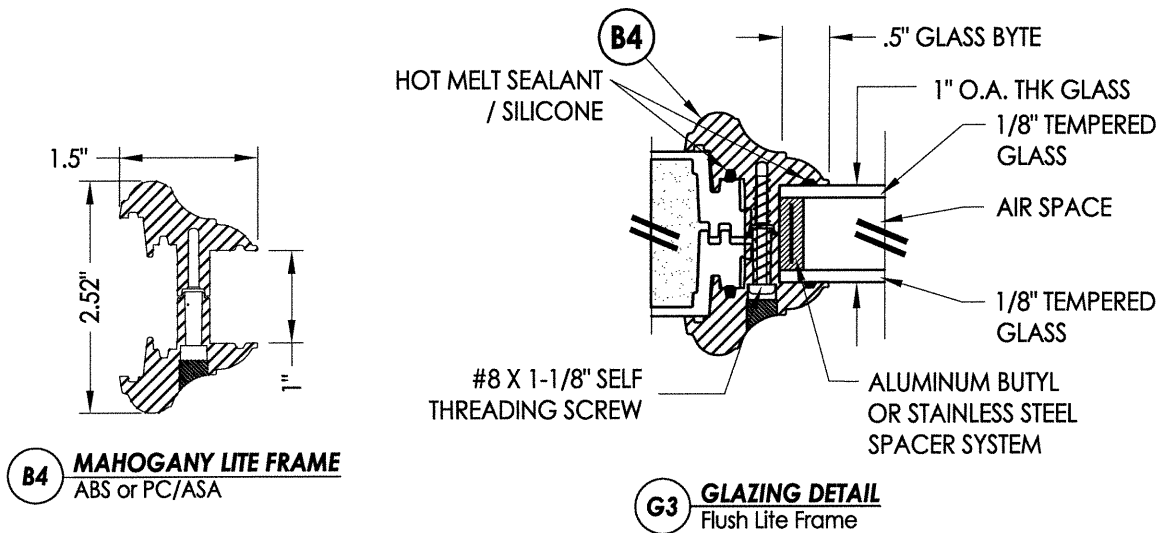
DOOR SKIN: 0.070" MIN. THK. FIBERGLASS
CORE MATERIAL: POLYURETHANE FOAM



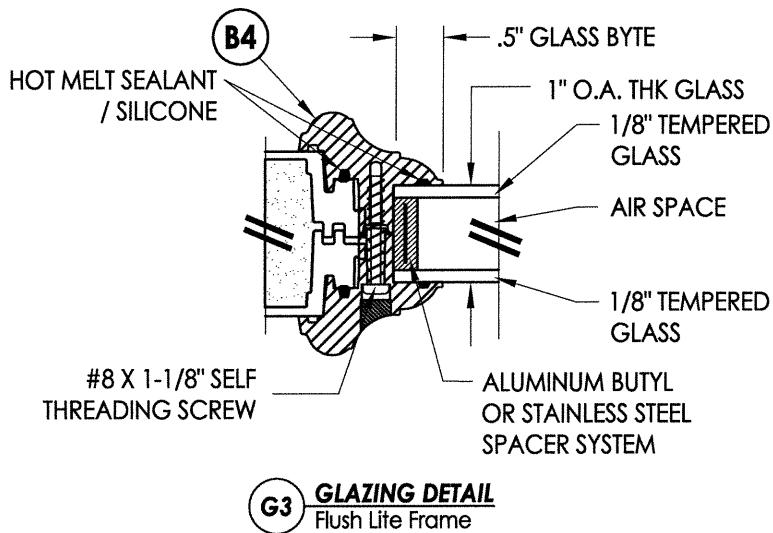
1 HORIZONTAL CROSS SECTION



A4 FLUSH GLAZED FRAME
ABS or PC/ASA

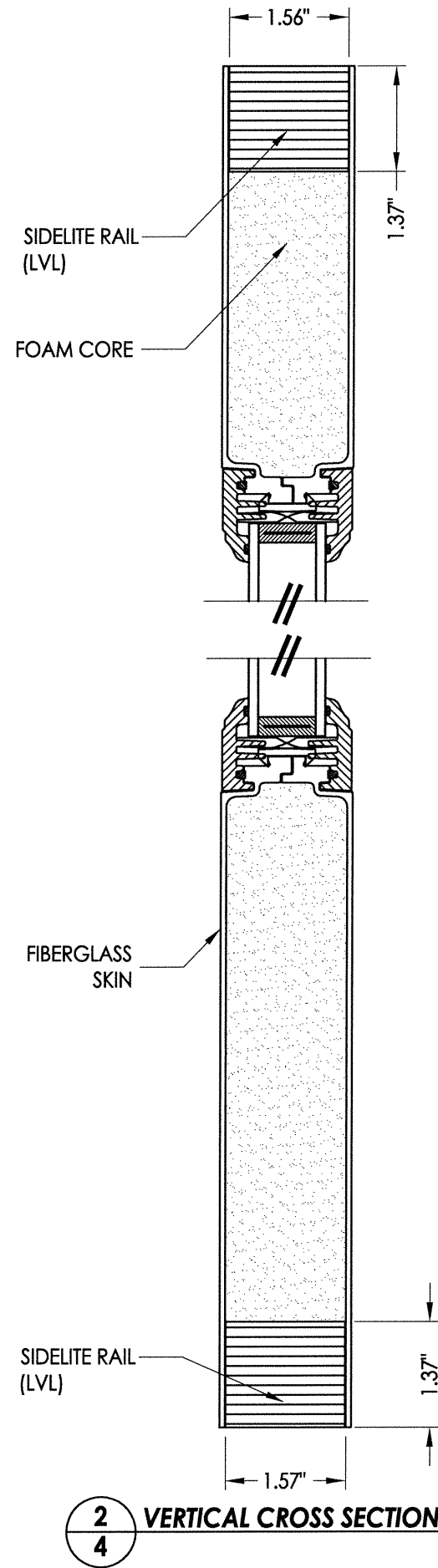


B4 MAHOGANY LITE FRAME
ABS or PC/ASA

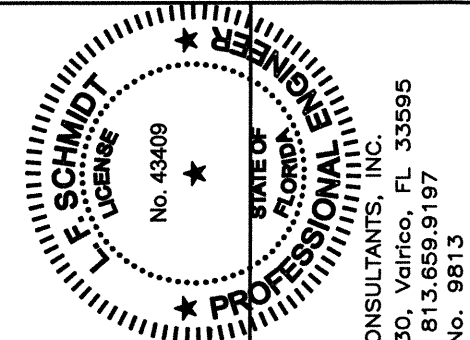


G3 GLAZING DETAIL
Flush Lite Frame

NOTE:
1. Spacing for lite frame screw is as follows:
Sides: 0.5" from each corner and 9.5" max. spacing thereafter (8 total)



2 VERTICAL CROSS SECTION

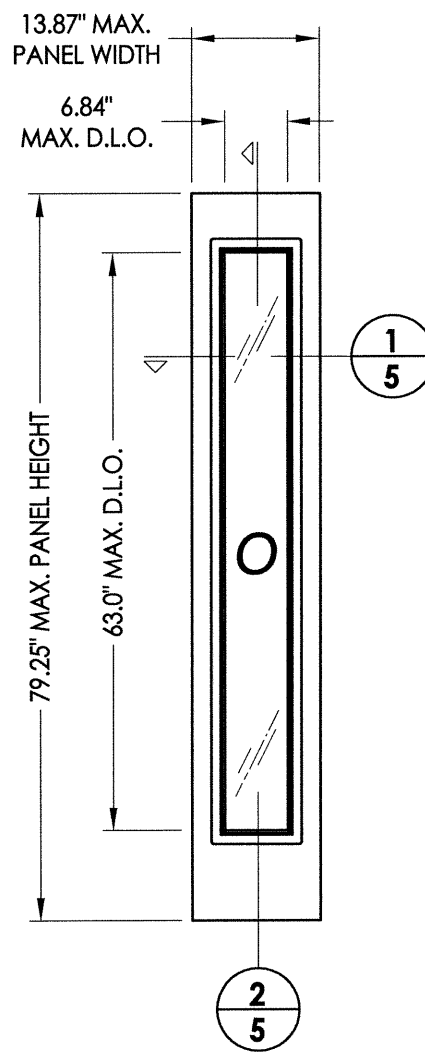


Documents Prepared By:
Lyndon F. Schmidt
P.E. No. 43409

R.W. BUILDING CONSULTANTS, INC.
P.O. Box 230, Valrico, FL 33595
Phone No.: 813.659.9197
FBPE C.A. No. 9813

PRODUCT:	TRINITY GLASS INT'L
PART OR ASSEMBLY:	SIDELITE PANEL DETAILS
DATE:	1/18/12
SCALE:	N.T.S.
DWG. BY:	JK
CHK. BY:	LFS
DRAWING NO.:	FL-15129.8
SHEET	4 OF 14

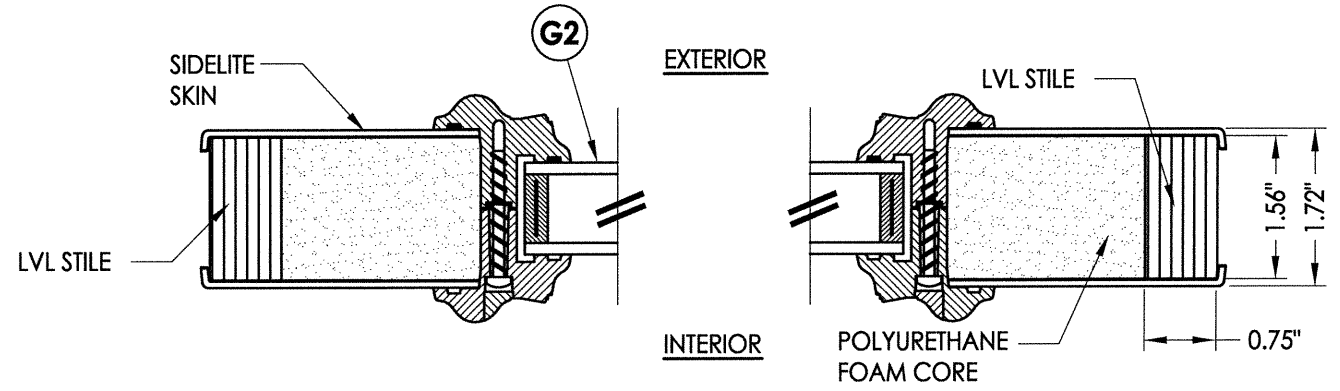
R:\Clients\Trinity PERMANENT\Florida Product Approvals\FL-15129\Drawings\Current\FL-15129-5-8.dwg, 5.14



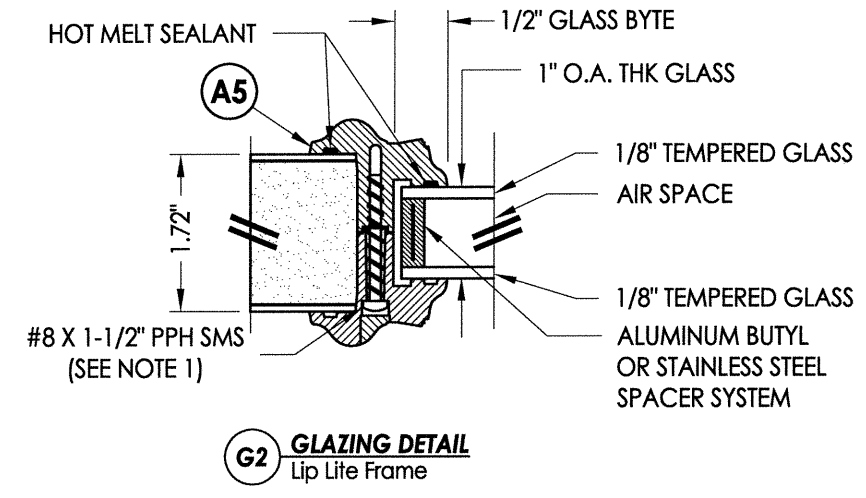
41 FIBERGLASS SIDELITE
"Non-Impact" Lite Frame

DOOR SKIN: 0.070" MIN. THK. FIBERGLASS
CORE MATERIAL: POLYURETHANE FOAM

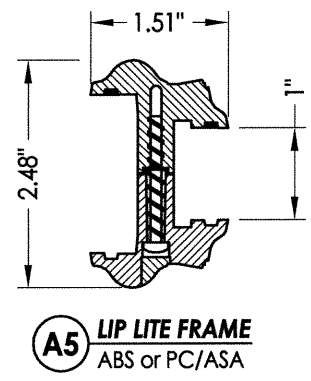
NOTE:
1. Spacing for lite frame screw is as follows:
Top and Bottom: 2" from each corner (2 total)
Sides: 2" from each corner and equally spaced thereafter (8 total)



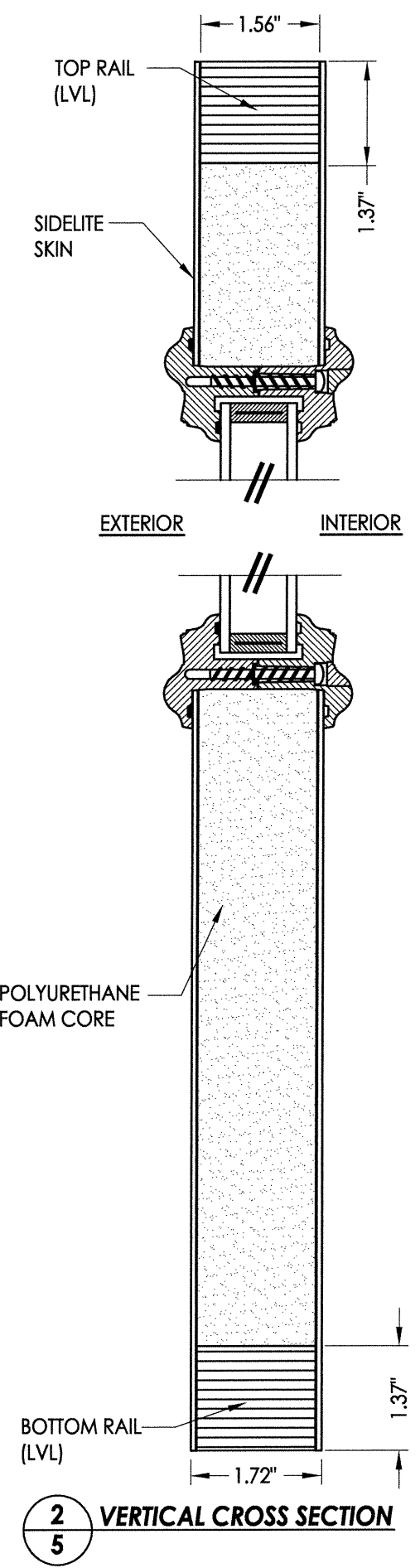
1 HORIZONTAL CROSS SECTION



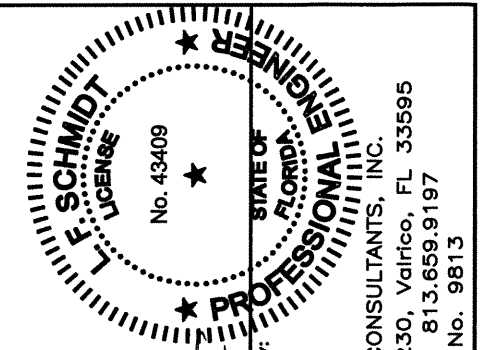
G2 GLAZING DETAIL
Lip Lite Frame



A5 LIP LITE FRAME
ABS or PC/ASA



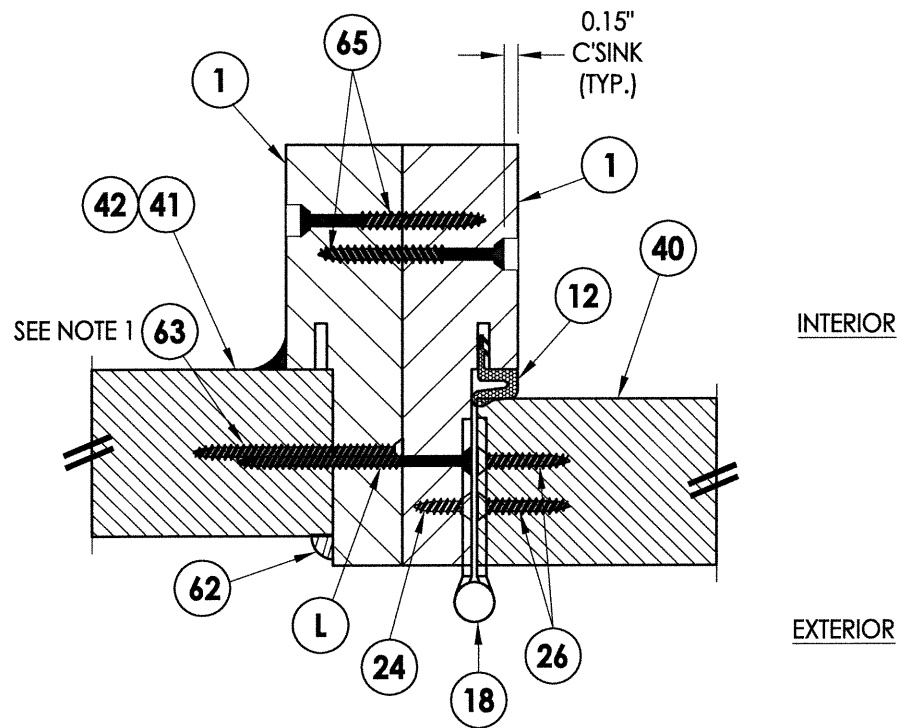
2 VERTICAL CROSS SECTION



Documents Prepared By:
Lyndon F. Schmidt
P.E. No. 43409

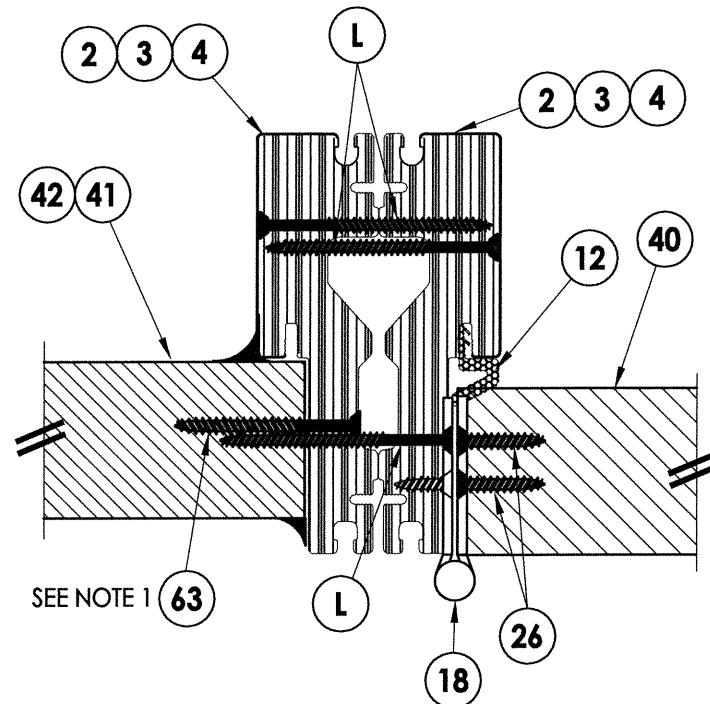
R.W.
BUILDING CONSULTANTS, INC.
P.O. Box 230, Valrico, FL 33595
Phone No.: 813.659.9197
FBPE C.A. No. 9813

PRODUCT:		TRINITY GLASS INT'L	
PART OR ASSEMBLY:		SIDELITE PANEL DETAILS	
NO.	DATE	BY	REVISIONS
3	03/02/15	JK	UPDATE TO 5TH ED. (2014) FBC
2	12/16/14	LFS	ADDED PVC JAMB/LOCK HRDWR
1	3/27/12	LFS	ADDED GLAZING DETAIL
DATE: 1/18/12			
SCALE: N.T.S.			
DWG. BY: JK			
CHK. BY: LFS			
DRAWING NO.: FL-15129.8			
SHEET 5 OF 14			



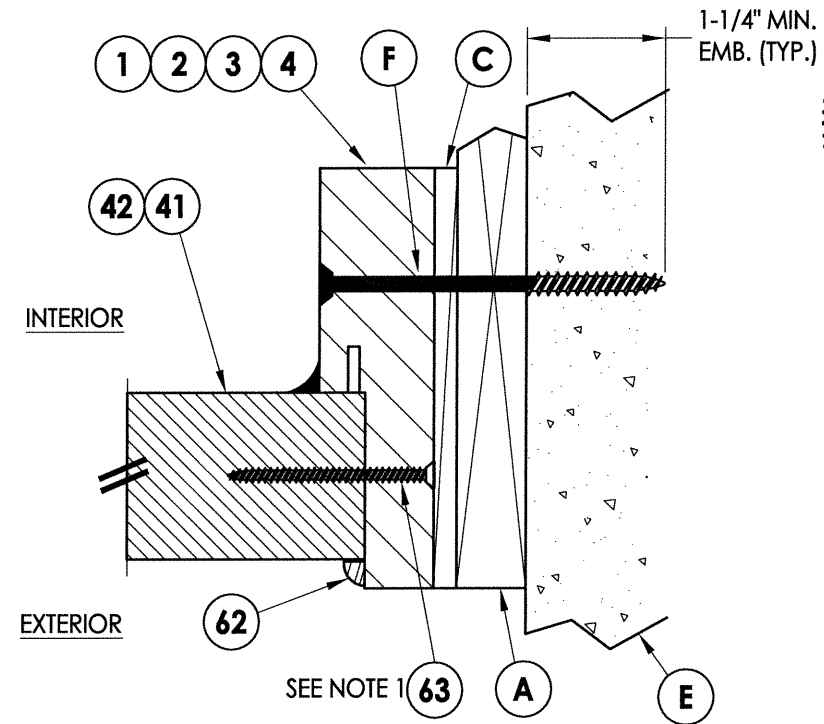
2 HORIZONTAL CROSS SECTION

7 Outswing shown - Inswing also approved
Shown w/ wood jambs



6 HORIZONTAL CROSS SECTION

7 Outswing shown - Inswing also approved
Shown w/ PVC jambs (Fiberglass/Comp. jamb similar)

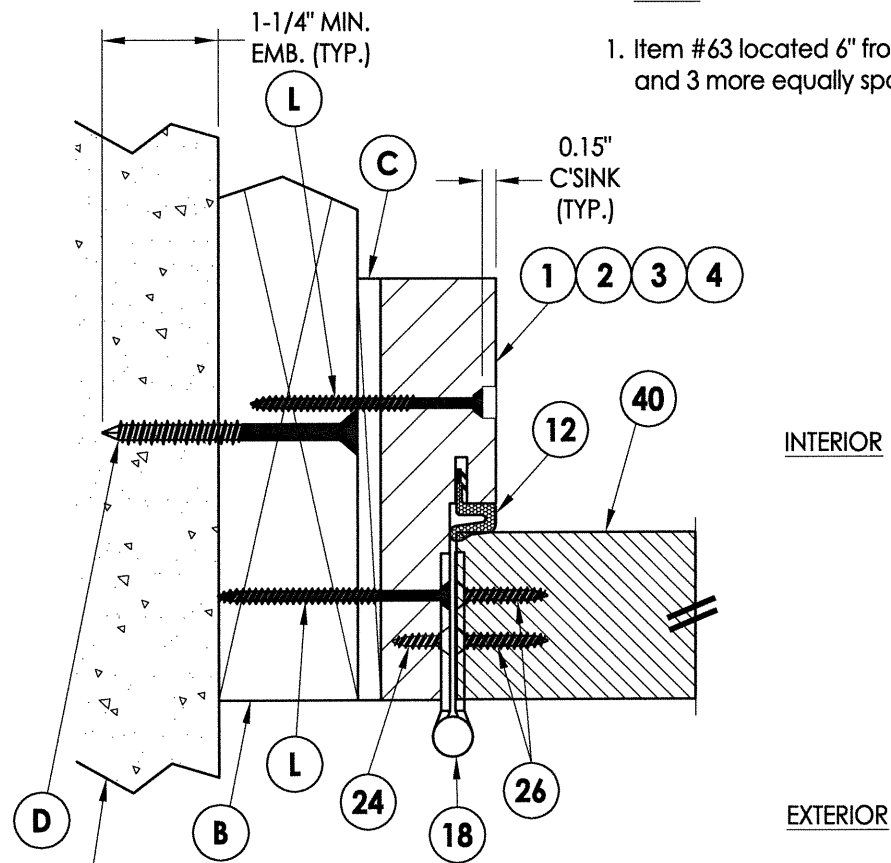


3 HORIZONTAL CROSS SECTION

7 Shown w/ 1X sub-buck

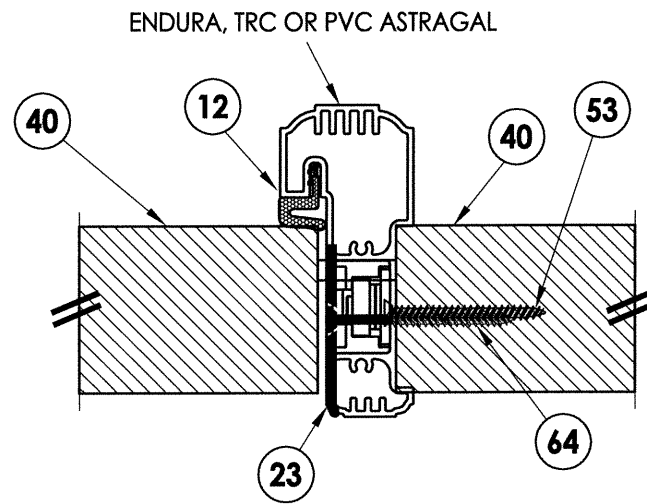
NOTE:

1. Item #63 located 6" from each end and 3 more equally spaced (5 total).



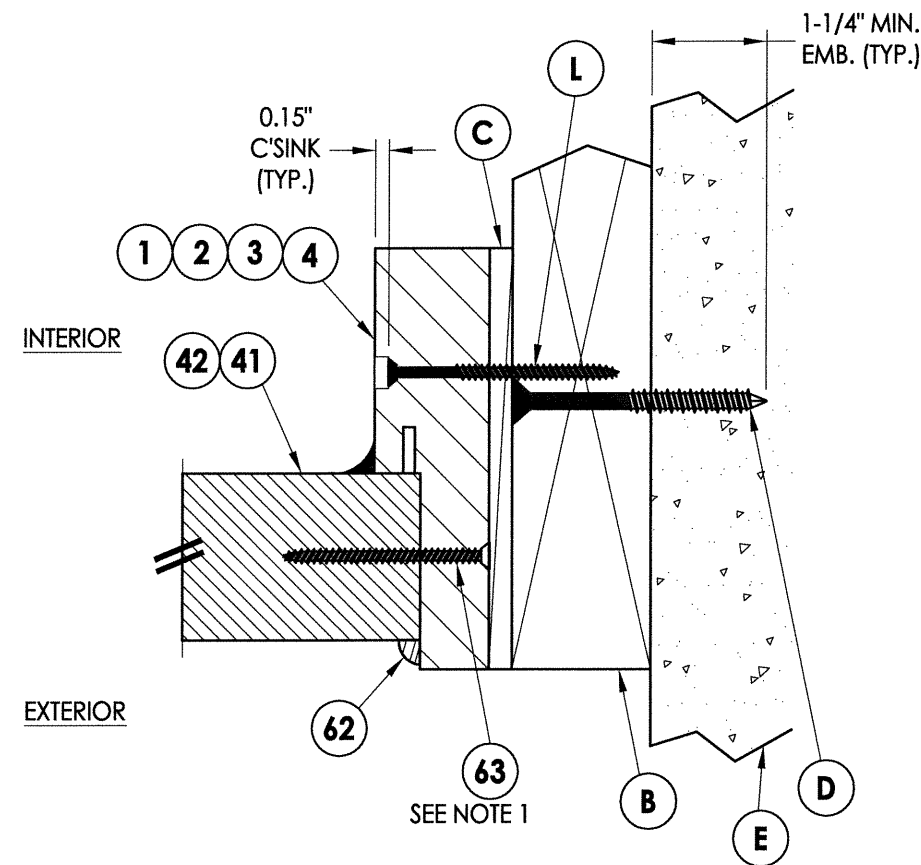
1 HORIZONTAL CROSS SECTION

7 Outswing shown - Inswing also approved



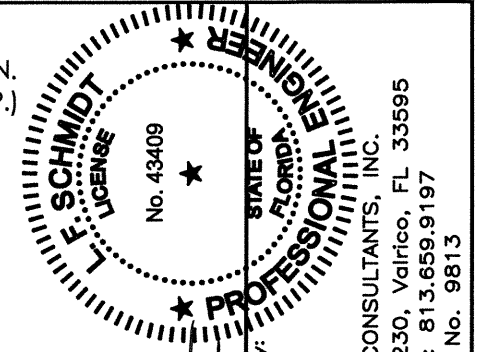
4 HORIZONTAL CROSS SECTION

7 Outswing shown - Inswing also approved



5 HORIZONTAL CROSS SECTION

7 Outswing shown - Inswing also approved



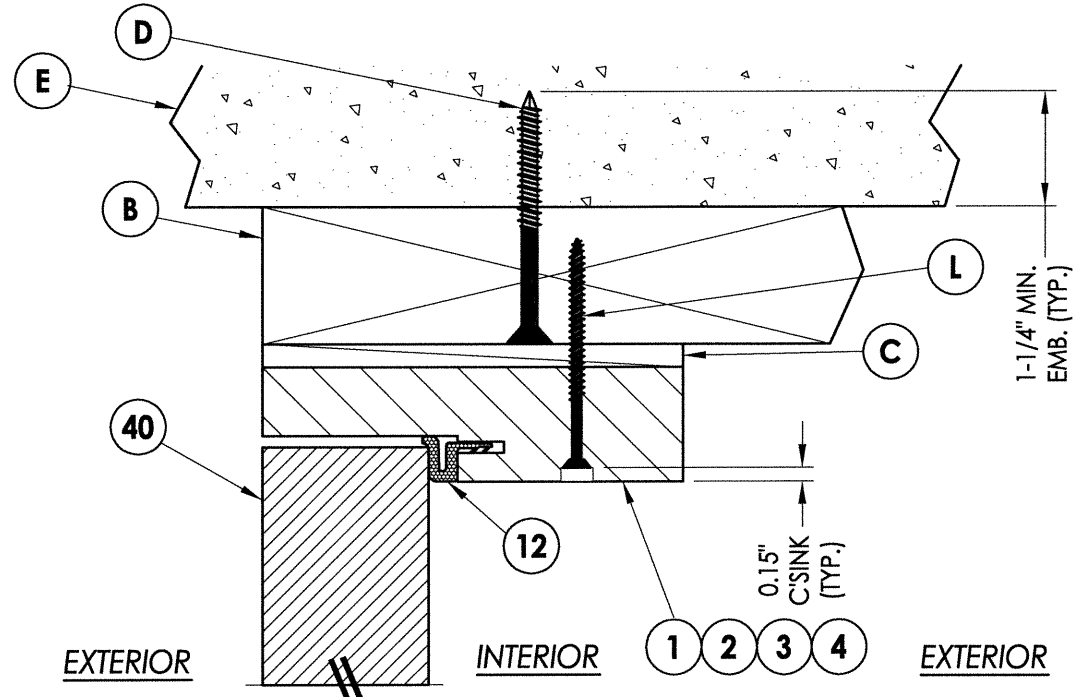
Documents Prepared By:
Lyndon F. Schmidt
P.E. No. 43409
RW
BUILDING CONSULTANTS, INC.
P.O. Box 230, Valrico, FL 33595
Phone No.: 813.659.9197
FBPE C.A. No. 9813

PRODUCT:	TRINITY GLASS INT'L
PART OR ASSEMBLY:	HORIZONTAL CROSS SECTIONS

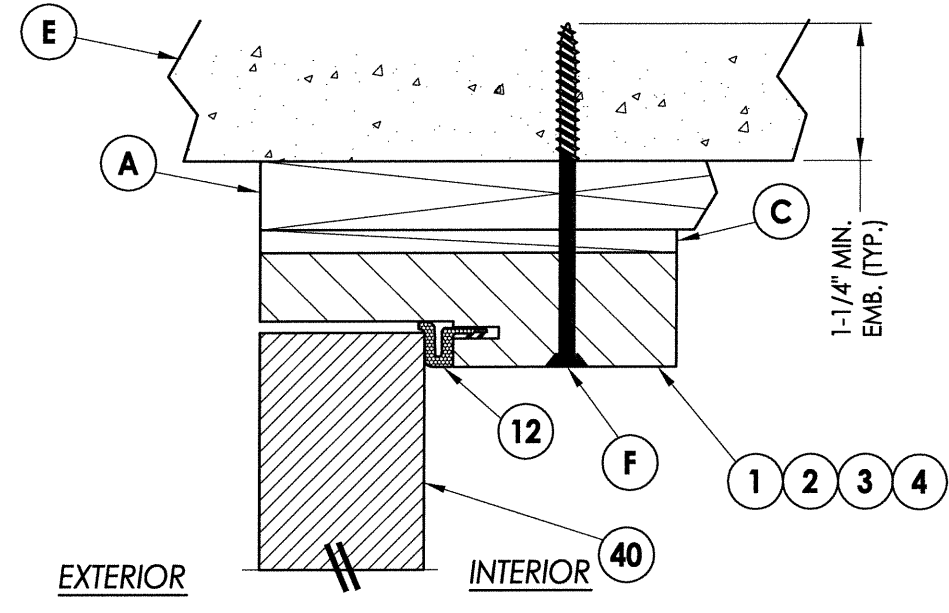
NO.	DATE	BY
3	03/02/15	JK
2	12/16/14	LFS
1	3/27/12	LFS

DATE:	1/18/12
SCALE:	N.T.S.
DWG. BY:	JK
CHK. BY:	LFS
DRAWING NO.:	FL-15129.8
SHEET	7 OF 14

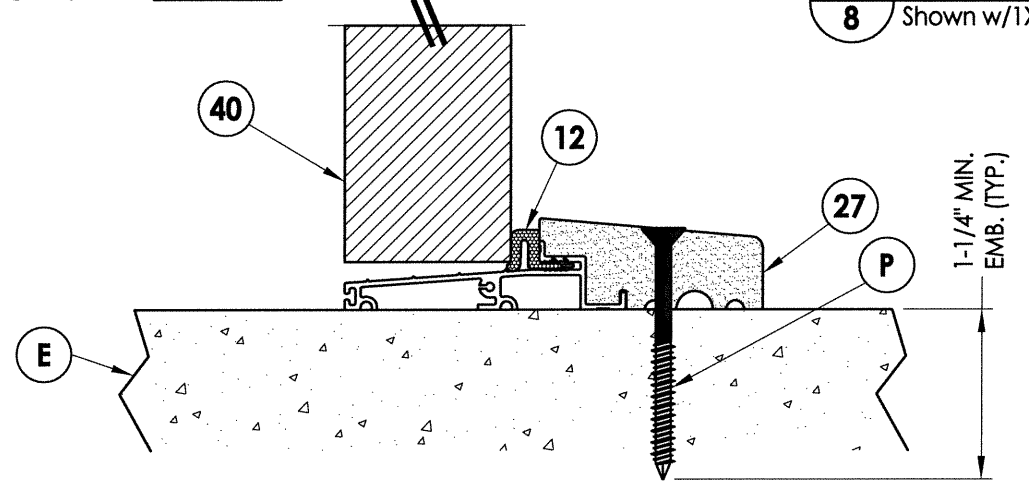
R:\Clients\Trinity PERMANENT\Florida Product Approvals\FL-15129\Drawings\Current\FL-15129.5-8.dwg, 8.14



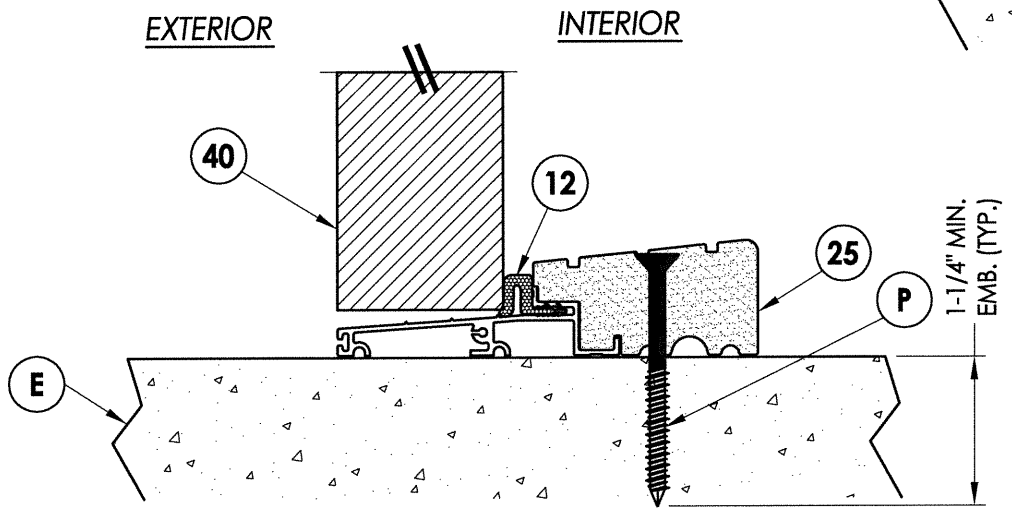
1 VERTICAL CROSS SECTION
8 Outswing shown
 Inswing also approved



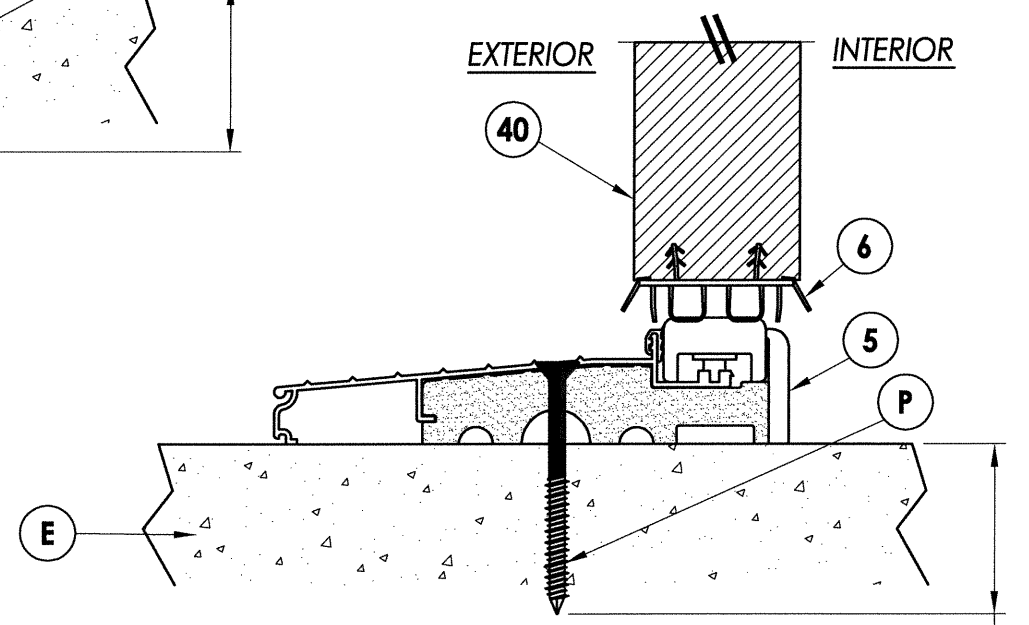
2 VERTICAL CROSS SECTION
8 Shown w/IX sub-buck



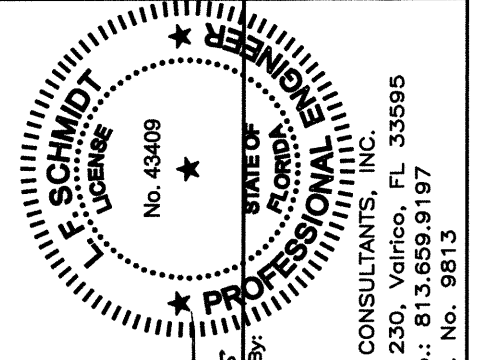
4 VERTICAL CROSS SECTION
8 Outswing sill



3 VERTICAL CROSS SECTION
8 Outswing sill - high dam



5 VERTICAL CROSS SECTION
8 Inswing sill

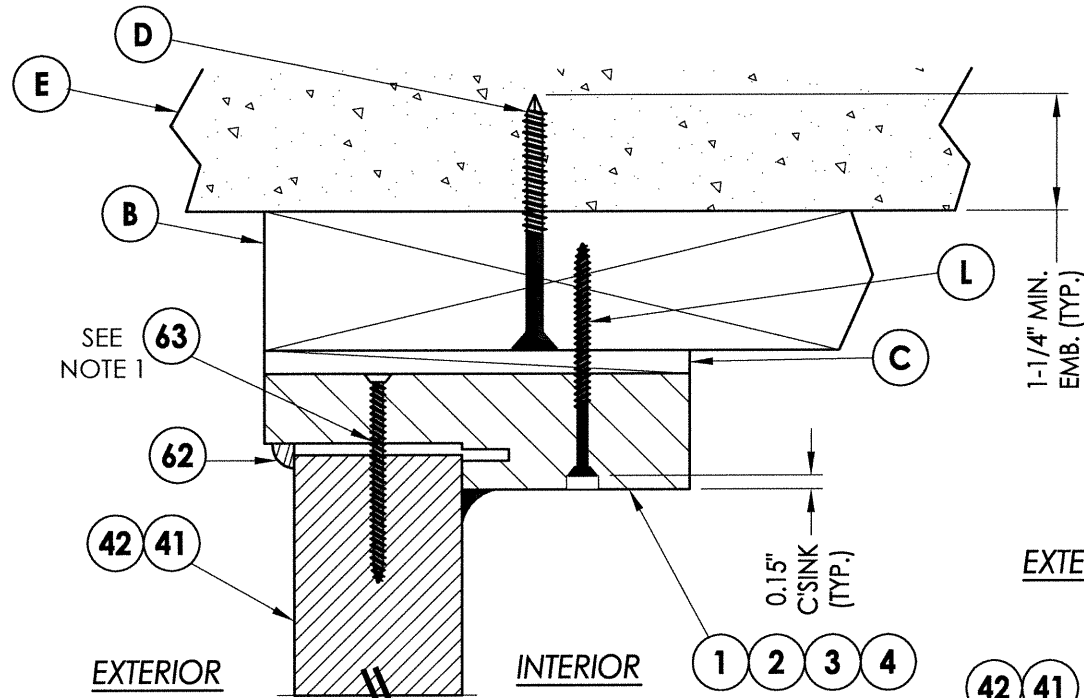


Documents Prepared By:
 Lyndon F. Schmidt
 P.E. No. 43409
 R.W. BUILDING CONSULTANTS, INC.
 P.O. Box 230, Valrico, FL 33595
 Phone No.: 813.659.9197
 FBPE C.A. No. 9813

PRODUCT: TRINITY GLASS INT'L		PART OR ASSEMBLY: VERTICAL CROSS SECTIONS	
NO.	DATE	BY	REVISIONS
3	03/02/15	JK	UPDATE TO 5TH ED. (2014) FBC
2	12/16/14	LFS	ADDED PVC JAMB/LOCK HRDWR
1	3/27/12	LFS	ADDED GLAZING DETAIL
DATE: 1/18/12		SCALE: N.T.S.	
DWG. BY: JK		CHK. BY: LFS	
DRAWING NO.: FL-15129.8		SHEET 8 OF 14	

NOTE:

1. Screws thru head and sill jamb located 3" from each end and on center line.

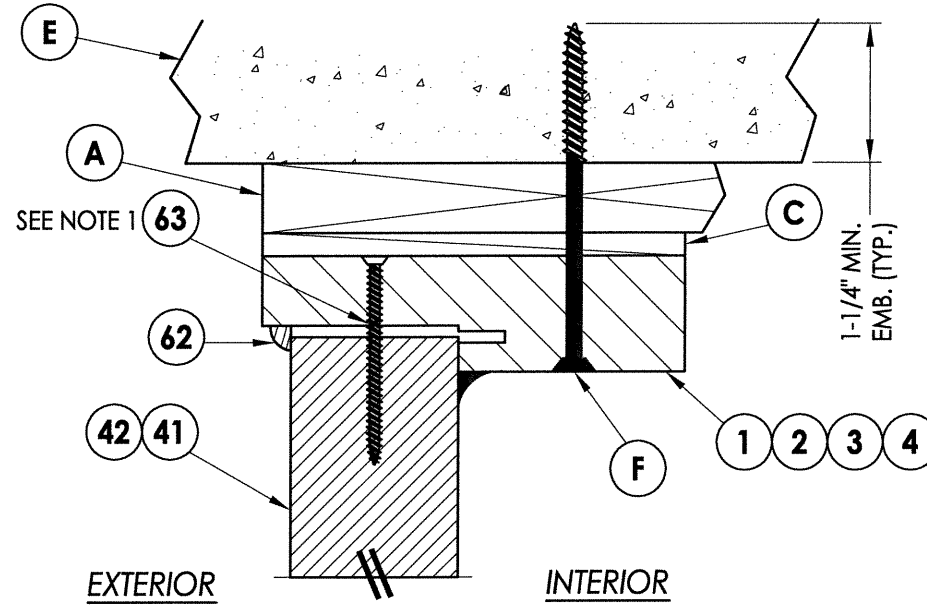


1 VERTICAL CROSS SECTION
9

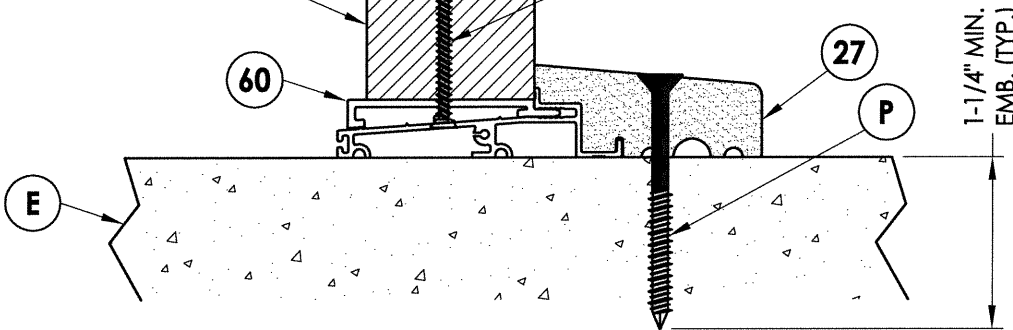
EXTERIOR INTERIOR



2 VERTICAL CROSS SECTION
9 Shown w/1X sub-buck

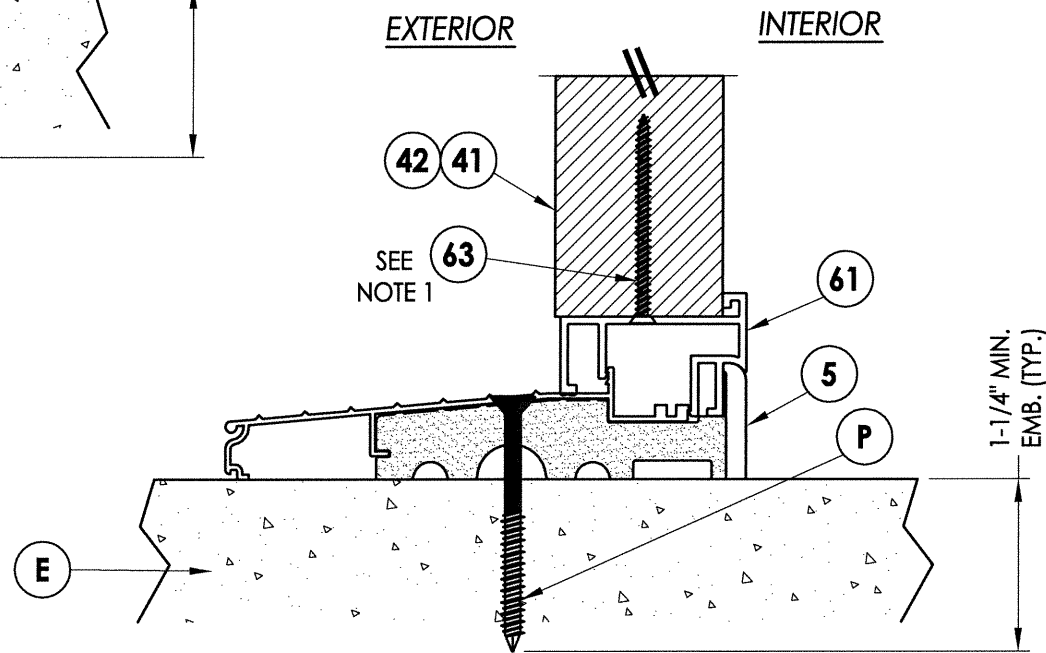


EXTERIOR INTERIOR

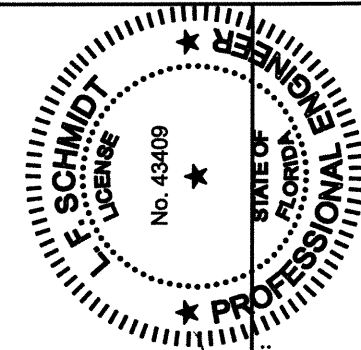


4 VERTICAL CROSS SECTION
9 Outswing sill

EXTERIOR INTERIOR



5 VERTICAL CROSS SECTION
9 Inswing sill



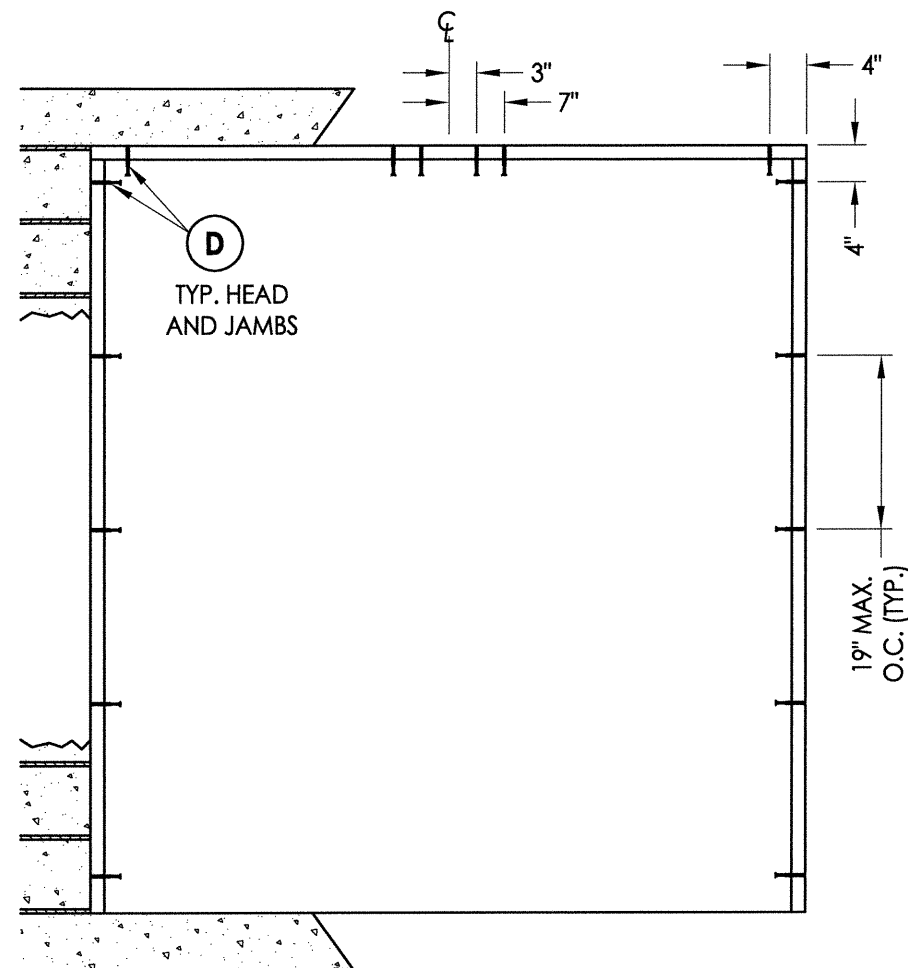
Documents Prepared By:
Lyndon F. Schmidt
P.E. No. 43409

R.W.
BUILDING CONSULTANTS, INC.
P.O. Box 230, Valrico, FL 33595
Phone No.: 813.659.9197
FBPE C.A. No. 9813

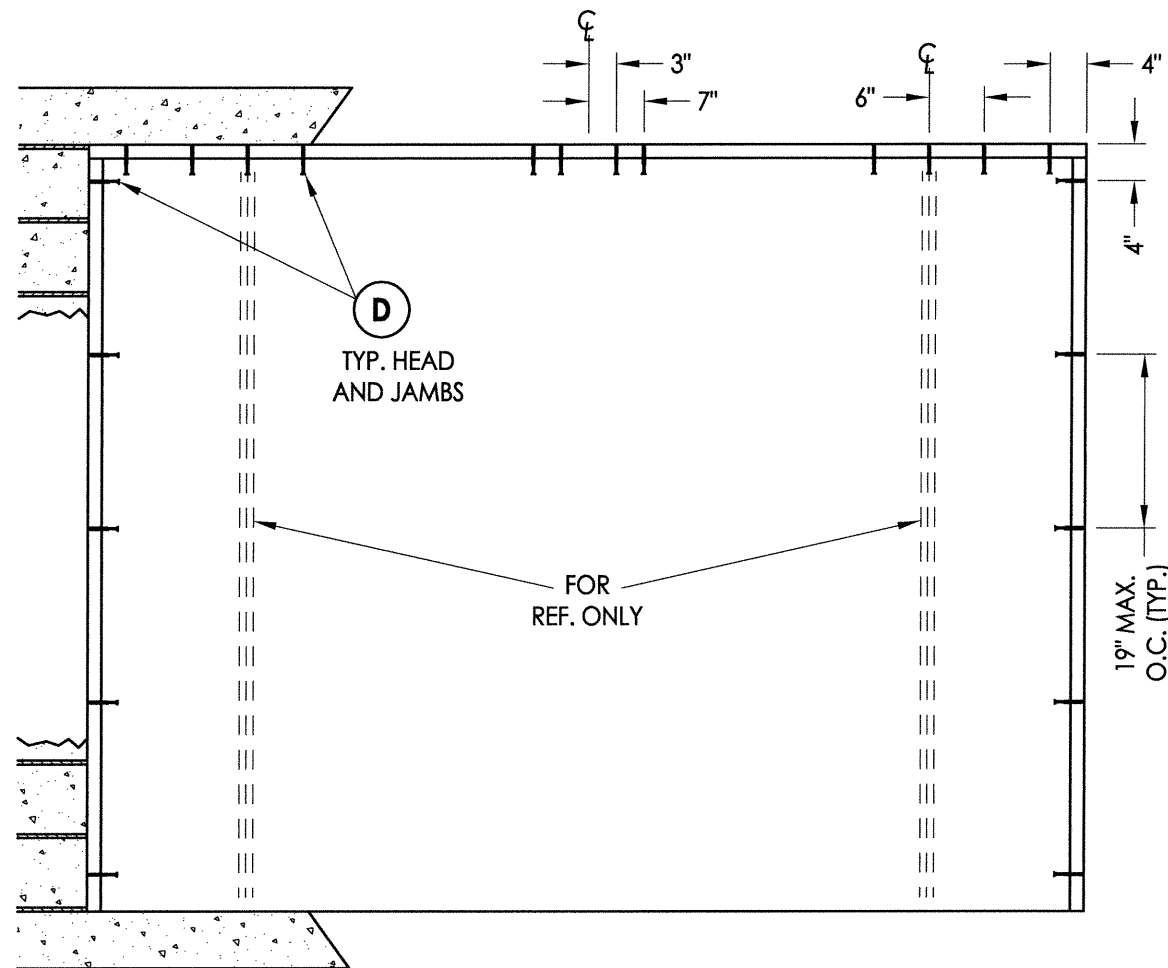
PRODUCT:	TRINITY GLASS INT'L
PART OR ASSEMBLY:	VERTICAL CROSS SECTIONS

NO.	DATE	BY	REVISIONS
3	03/02/15	JK	UPDATE TO 5TH ED. (2014) FBC
2	12/16/14	LFS	ADDED PVC JAMB/LOCK HRDWR
1	3/27/12	LFS	ADDED GLAZING DETAIL

DATE:	1/18/12
SCALE:	N.T.S.
DWG. BY:	JK
CHK. BY:	LFS
DRAWING NO.:	FL-15129.8
SHEET	9 OF 14



BUCK ANCHORING



BUCK ANCHORING

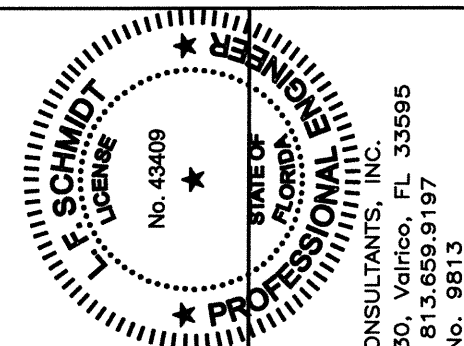
CONCRETE ANCHOR NOTES:

1. Concrete anchor locations at the corners may be adjusted to maintain the min. edge distance to mortar joints.
2. Concrete anchor locations noted as "MAX. ON CENTER" must be adjusted to maintain the min. edge distance to mortar joints, additional concrete anchors may be required to ensure the "MAX. ON CENTER" dimension are not exceeded.
3. Concrete anchor table:

ANCHOR TYPE	ANCHOR SIZE	MIN. EMBEDMENT	MIN. CLEARANCE TO MASONRY EDGE	MIN. CLEARANCE TO ADJACENT ANCHOR
ITW BUILDEX TAPCON®	1/4"	1-1/4"	2"	4"
ELCO ULTRACON®	1/4"	1-1/4"	1"	4"

WOOD SCREW INSTALLATION NOTES:

1. Maintain a minimum 5/8" edge distance, 1" end distance, & 1" o.c. spacing of wood screws to prevent the splitting of wood.



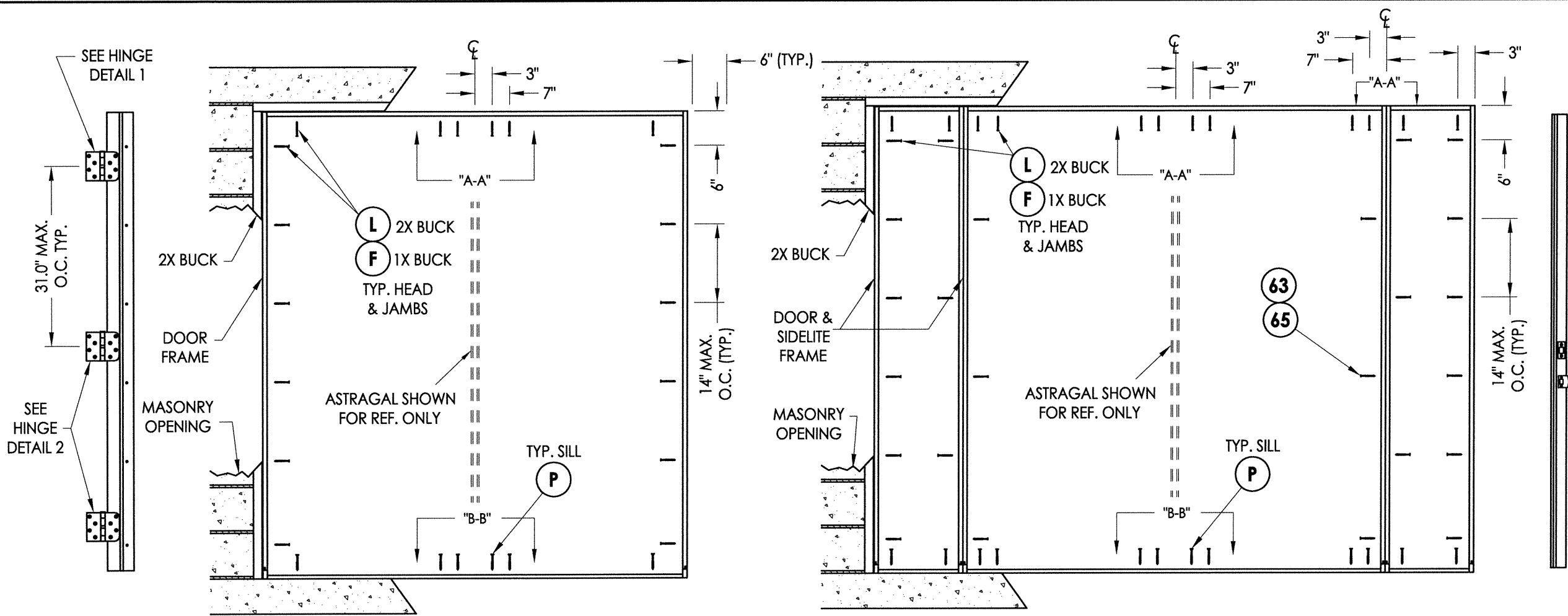
Documents Prepared By:
 Lyndon F. Schmidt
 P.E. No. 43409
 R.W. BUILDING CONSULTANTS, INC.
 P.O. Box 230, Valrico, FL 33595
 Phone No.: 813.659.9197
 FBPE C.A. No. 9813

PRODUCT: TRINITY GLASS INT'L
 PART OR ASSEMBLY: BUCK ANCHORING

NO.	DATE	REVISIONS
3	03/02/15	UPDATE TO 5TH ED. (2014) FBC
2	12/16/14	ADDED PVC JAMB/LOCK HRDWR
1	3/27/12	ADDED GLAZING DETAIL

DATE: 1/18/12
 SCALE: N.T.S.
 DWG. BY: JK
 CHK. BY: LFS
 DRAWING NO.: FL-15129.8
 SHEET 10 OF 14

R:\Clients\Trinity PERMANENT\Florida Product Approvals\FL-15129\Drawings\Current\FL-15129-5-8.dwg, 11.14

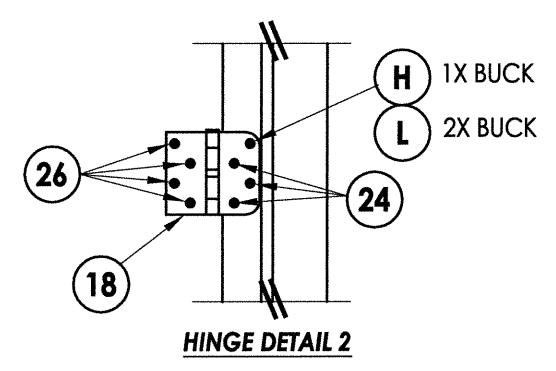
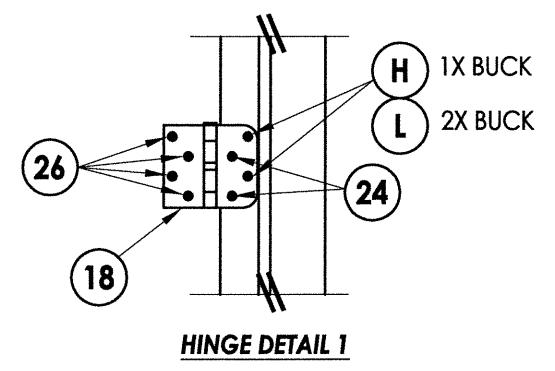
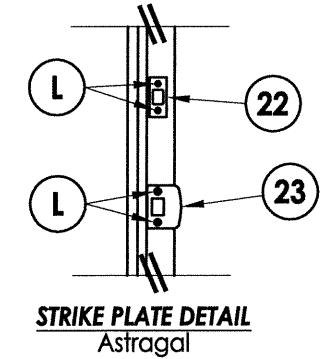
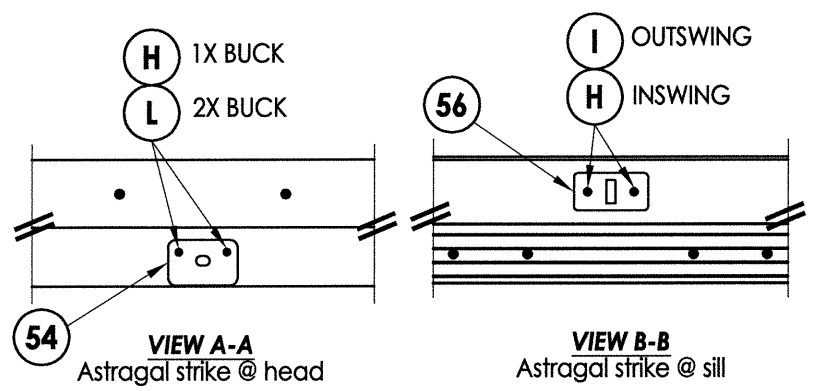


HINGE JAMB

FRAME ANCHORING

FRAME ANCHORING

ASTRAGAL STRIKE JAMB



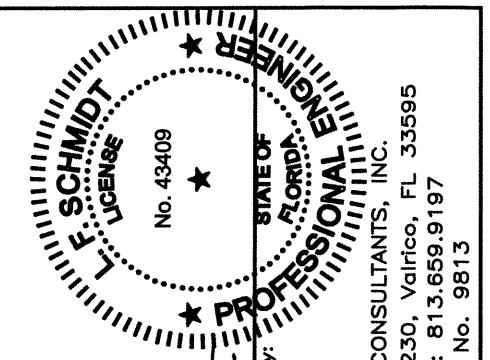
CONCRETE ANCHOR NOTES:

- Concrete anchor locations at the corners may be adjusted to maintain the min. edge distance to mortar joints.
- Concrete anchor locations noted as "MAX. ON CENTER" must be adjusted to maintain the min. edge distance to mortar joints, additional concrete anchors may be required to ensure the "MAX. ON CENTER" dimension are not exceeded.
- Concrete anchor table:

ANCHOR TYPE	ANCHOR SIZE	MIN. EMBEDMENT	MIN. CLEARANCE TO MASONRY EDGE	MIN. CLEARANCE TO ADJACENT ANCHOR
ITW BUILDEX TAPCON®	3/16"	1-1/4"	3"	1-1/2"
	1/4"	1-1/4"	2"	4"
ELCO ULTRACON®	1/4"	1-1/4"	1"	4"

WOOD SCREW INSTALLATION NOTES:

- Maintain a minimum 5/8" edge distance, 1" end distance, & 1" o.c. spacing of wood screws to prevent the splitting of wood.



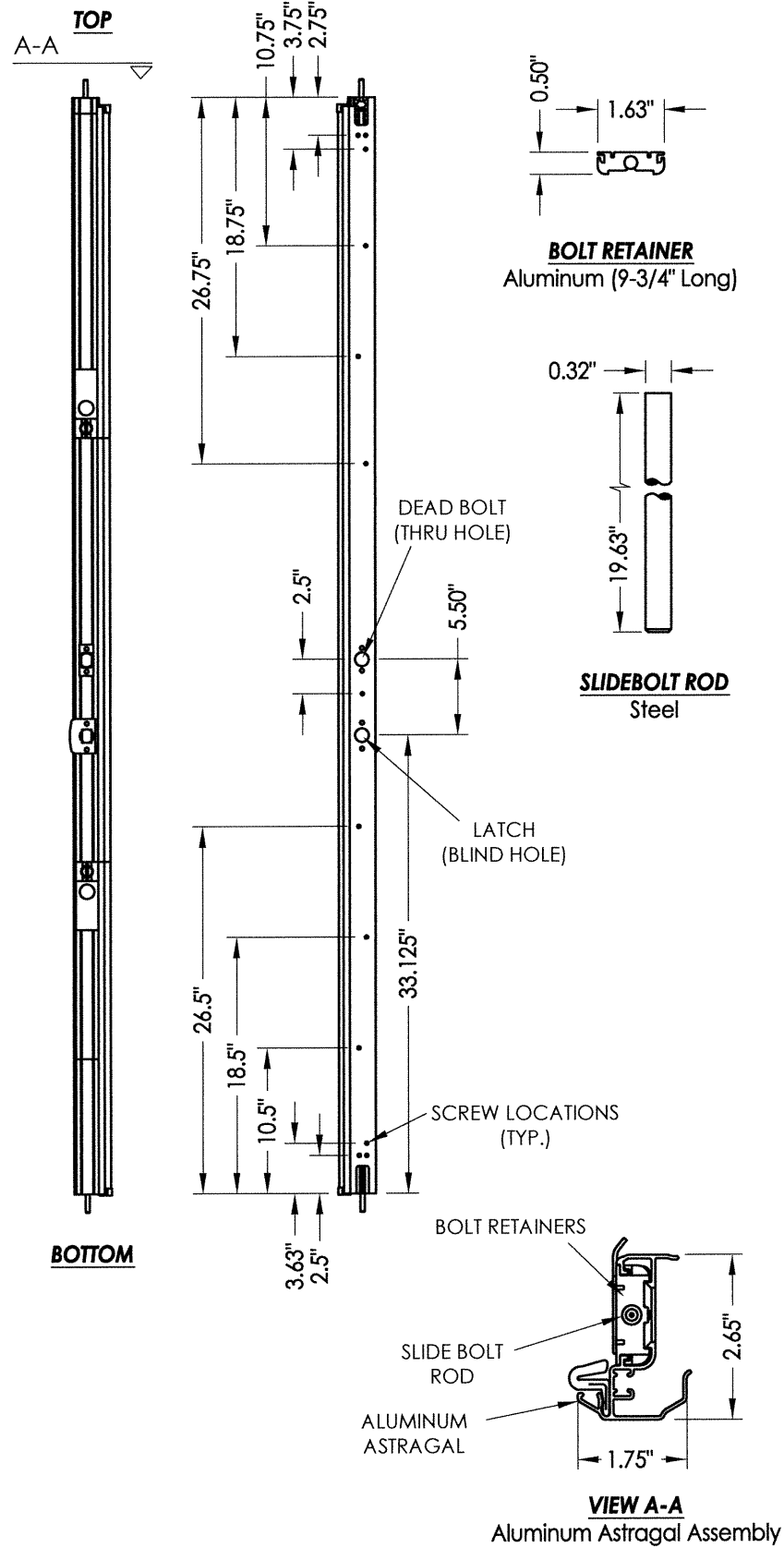
Documents Prepared By:
Lyndon F. Schmidt
P.E. No. 43409

R.W. BUILDING CONSULTANTS, INC.
P.O. Box 230, Vairico, FL 33595
Phone No.: 813.659.9197
FBPE C.A. No. 9813

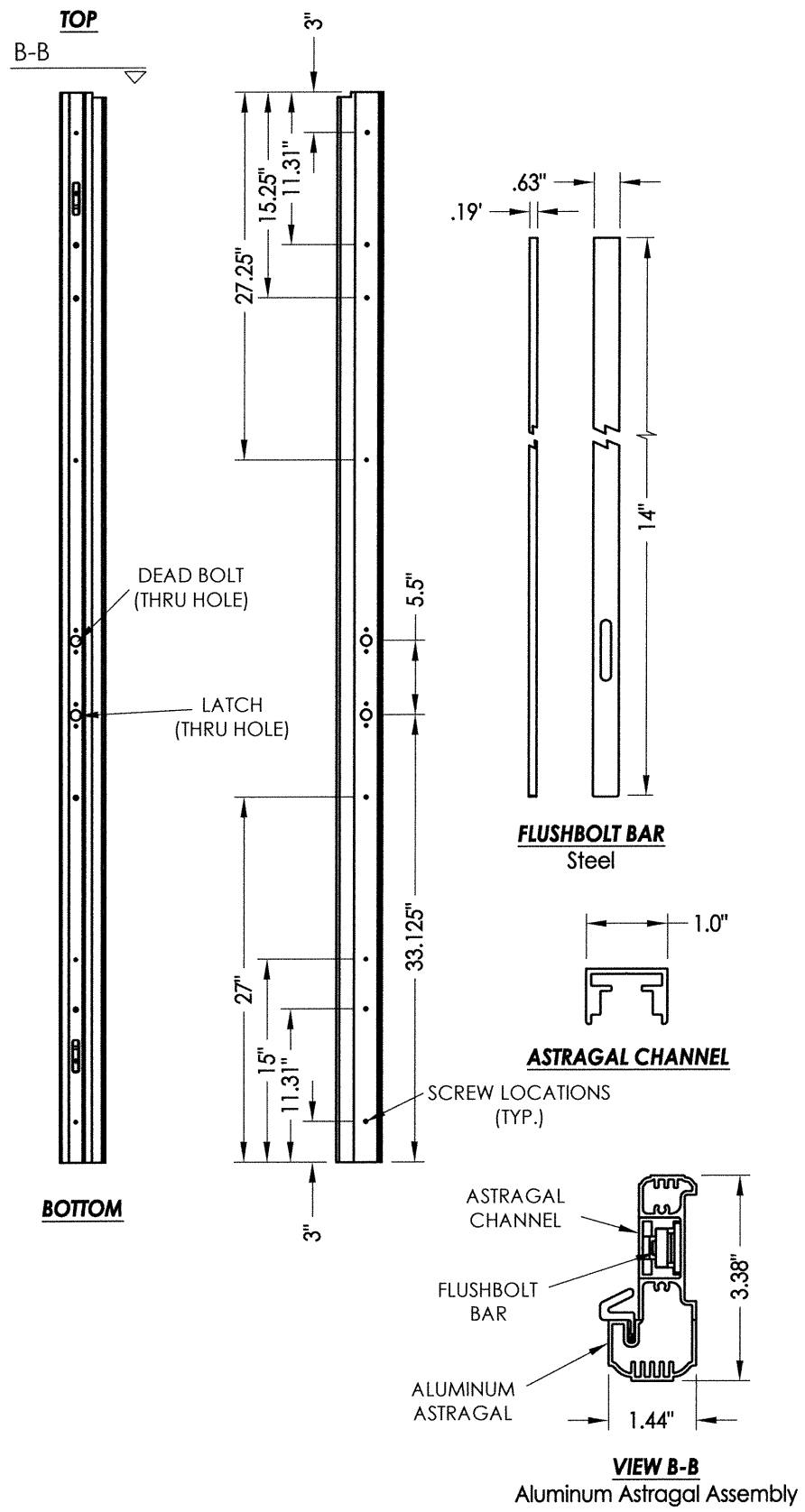
PRODUCT: TRINITY GLASS INT'L
PART OR ASSEMBLY: FRAME ANCHORING

NO.	DATE	REVISIONS
3	03/02/15	UPDATE TO 5TH ED. (2014) FBC
2	12/16/14	ADDED PVC JAMB/LOCK HRDWR
1	3/27/12	ADDED GLAZING DETAIL

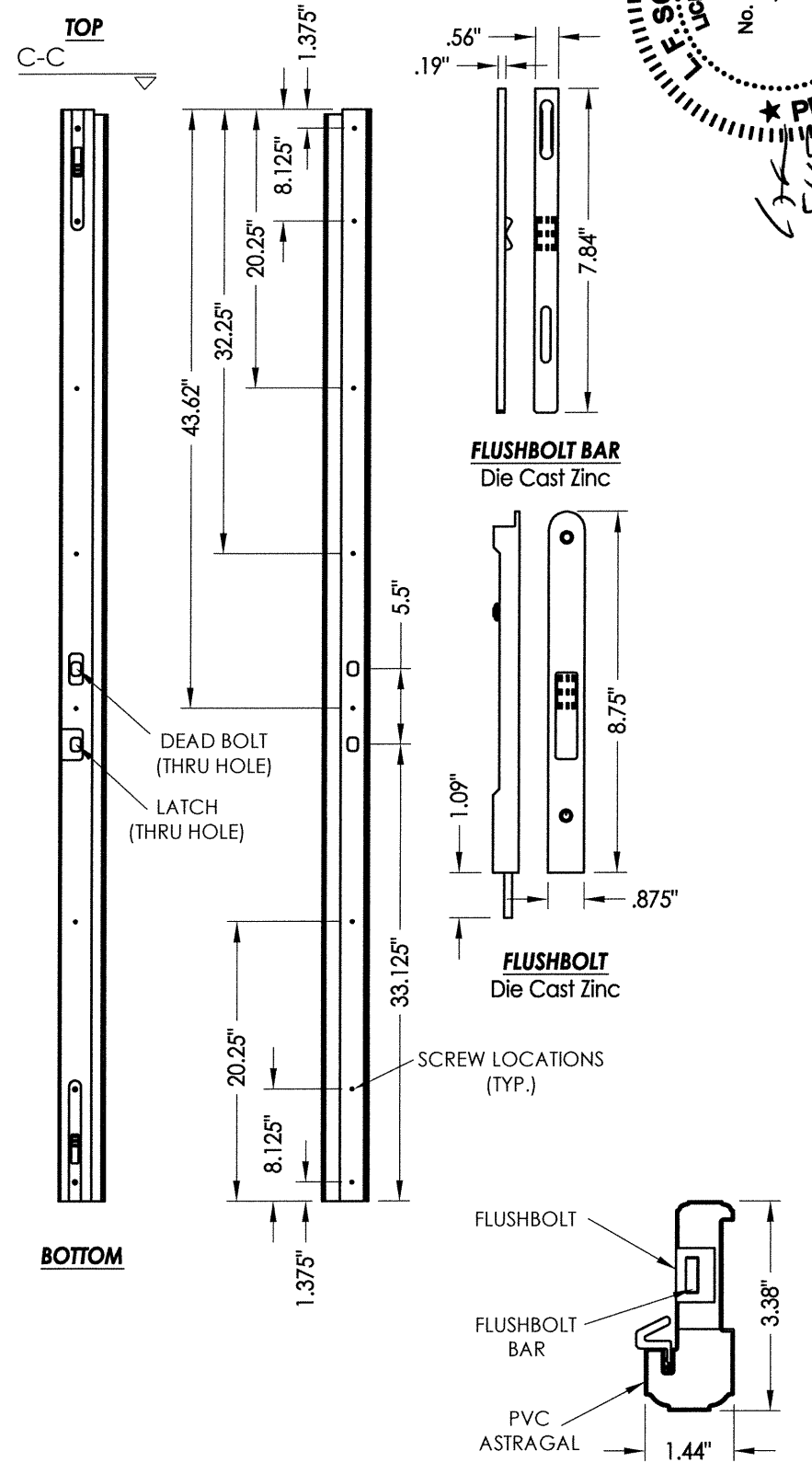
DATE: 1/18/12
SCALE: N.T.S.
DWG. BY: JK
CHK. BY: LFS
DRAWING NO.: FL-15129.8
SHEET 11 OF 14



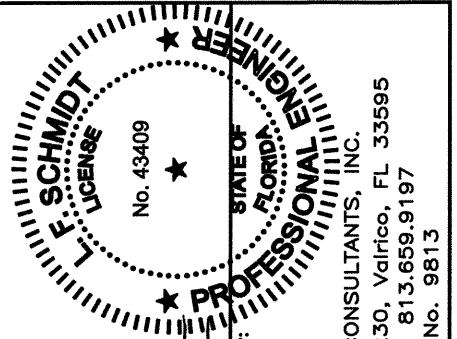
ENDURA ASTRAGAL
6'8 Aluminum Astragal by Endura Products



TRC ASTRAGAL
6'8 Aluminum Astragal by Trinity



PVC ASTRAGAL
6'8 PVC Astragal by Trinity



Documents Prepared By:
Lyndon F. Schmidt
P.E. No. 43409

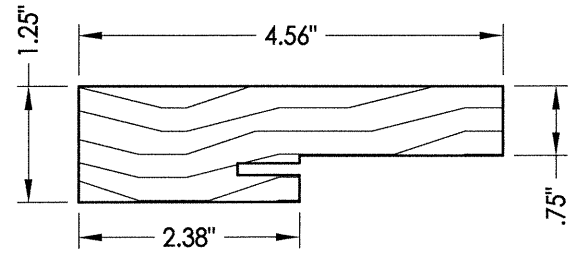
RW BUILDING CONSULTANTS, INC.
P.O. Box 230, Valrico, FL 33595
Phone No.: 813.659.9197
FBPE C.A. No. 9813

PRODUCT:	TRINITY GLASS INT'L
PART OR ASSEMBLY:	ASTRAGAL DETAILS

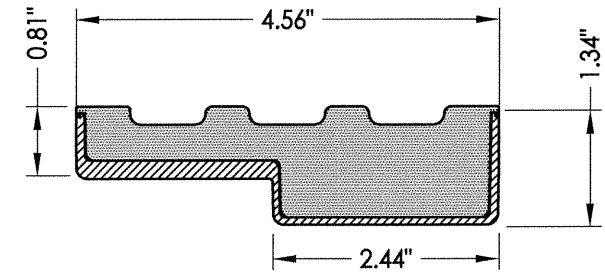
NO.	DATE	BY	REVISIONS
3	03/02/15	JK	UPDATE TO 5TH ED. (2014) FBC
2	12/16/14	LFS	ADDED PVC JAMB/LOCK HRDWR
1	3/27/12	LFS	ADDED GLAZING DETAIL

DATE:	1/18/12
SCALE:	N.T.S.
DWG. BY:	JK
CHK. BY:	LFS
DRAWING NO.:	FL-15129.8
SHEET	12 of 14

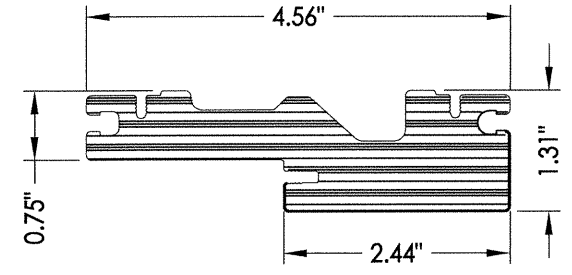
R:\Clients\Trinity PERMANENT\Florida Product Approvals\FL-15129\Drawings\Current\FL-15129-5-8.dwg, 13.14



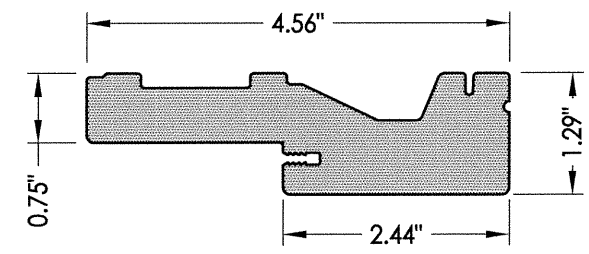
1 HEAD AND JAMBS
Wood



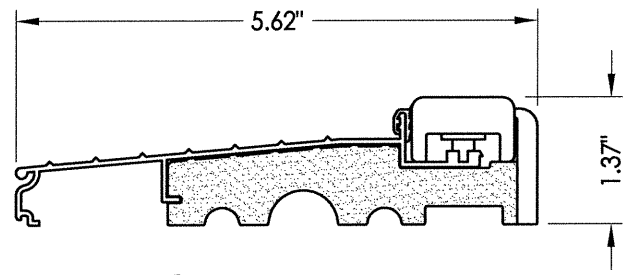
2 HEAD AND JAMBS
Composite PVC Base
w/ Fiberglass Wrap



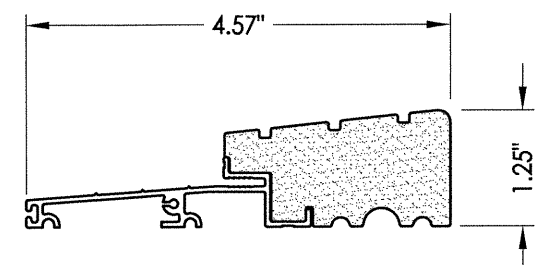
3 HEAD AND JAMBS
PVC



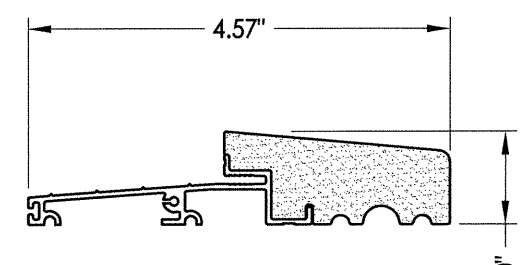
4 HEAD AND JAMBS
PVC



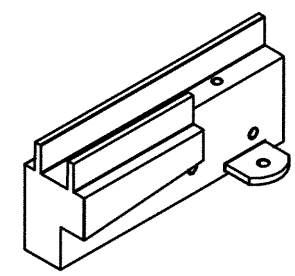
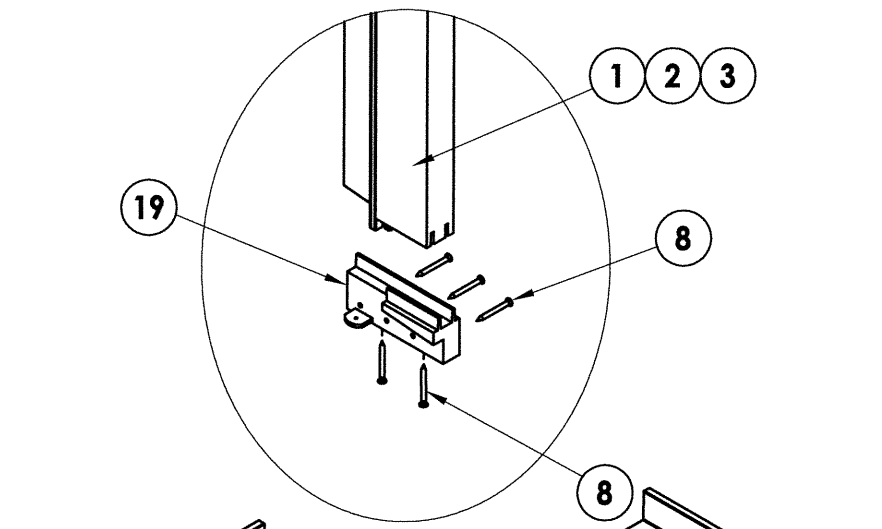
5 INSWING THRESHOLD



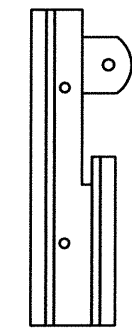
25 OUTSWING THRESHOLD
High-dam



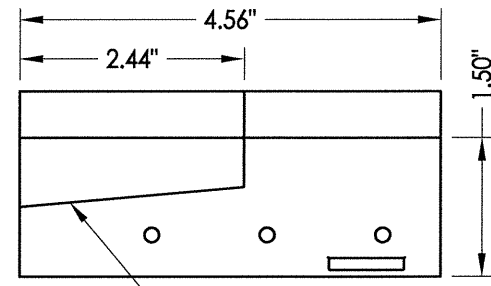
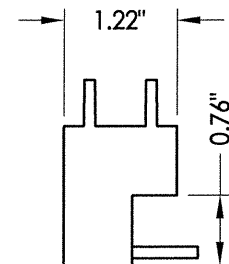
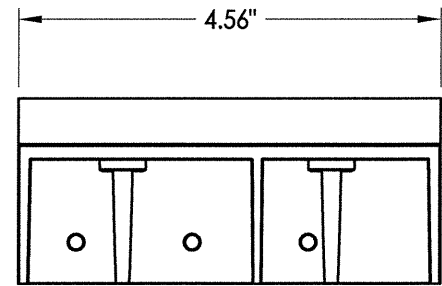
27 OUTSWING THRESHOLD



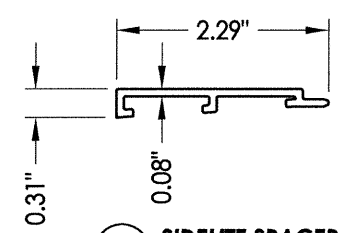
SILLKEY, LEFT
SCALE: NONE



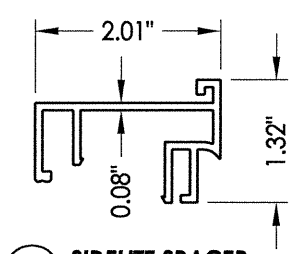
SILLKEY, RIGHT
SCALE: NONE



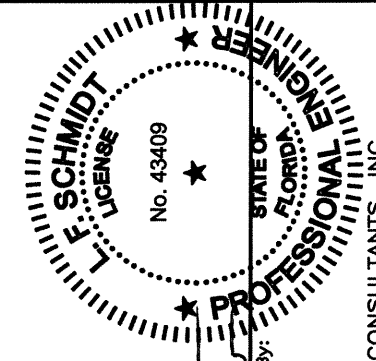
19 SILLKEY DETAILS
Optional



60 SIDELITE SPACER
Outswing



61 SIDELITE SPACER
Inswing



Documents Prepared By:
Lyndon F. Schmidt
P.E. No. 43409

R.W. BUILDING CONSULTANTS, INC.
P.O. Box 230, Vairico, FL 33595
Phone No.: 813.659.9197
FBPE C.A. No. 9813

PRODUCT:	TRINITY GLASS INT'L
PART OR ASSEMBLY:	COMPONENTS

NO.	DATE	BY	REVISIONS
3	03/02/15	JK	UPDATE TO 5TH ED. (2014) FBC
2	12/16/14	LFS	ADDED PVC JAMB/LOCK HRDWR
1	3/27/12	LFS	ADDED GLAZING DETAIL

DATE:	1/18/12
SCALE:	N.T.S.
DWG. BY:	JK
CHK. BY:	LFS
DRAWING NO.:	FL-15129.8
SHEET	13 OF 14

